

**AMERICAN AVK HANDWHEELS FOR SERIES 03, 25, 45 & 55
RESILIENT SEATED GATE VALVES (NRS) - Sizes 1½" through 24"**

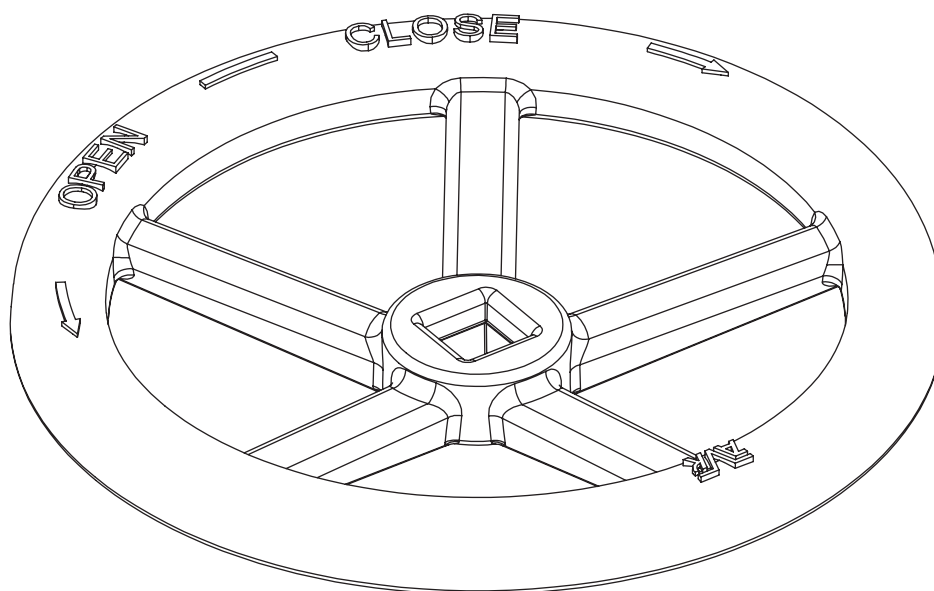
**03/25/45/55/08
HW**

Use:

For Resilient seated gate valves - sizes 2 ½" through 24"

Standard Materials:

Handwheel	Cast Iron ASTM A126 class B
Coating	Electrostatically applied fusion-bonded epoxy-resin Meets or exceeds AWWA C550
Bolt	ASTM A164 zinc coated steel



Ref. Nos.	Size	D	Weight (lbs.)
08-040-02	1½"	4.72"	2.0
08-050-01	2"	7.10"	2.0
08-080-05	2 ½"	8.86"	6.6
08-080-05	3"	8.86"	6.6
08-100-01	4"	11.02"	7.7
08-150-05	6"	12.60"	9.3
08-200-00	8"	14.17"	13.2
08-250-02	10"-12"	19.69"	24.3
08-400-01	14"-24"	25.14"	37.2

