

AMERICAN AVK RESILIENT SEATED GATE VALVE - COMBITEE
250 PSI, Tested to AWWA C509 (NRS)
Mechanical Joint Ends - Valve Sizes 6"x6", 8"x6", 12"x6"

18/07X
MJxMJ

Use:

For water and neutral liquids to maximum 160°F.

Tests:

Hydraulic test to AWWA C509:

Shell Test: 500 PSI

Seat Test: 250 PSI

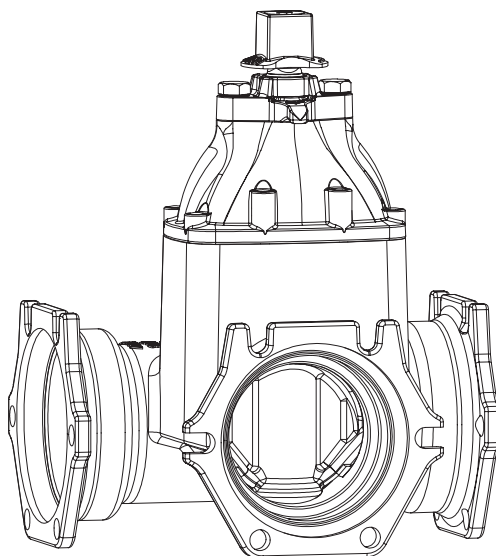
Operating Torque Test

Optional Materials:

Stem	Option a): Low zinc bronze ASTM A763
Anti Friction Washers	Polyamide
Bonnet Bolts	Option a): ASTM A164 zinc coated steel sealed with hot melt Option b): Stainless Steel - 316 sealed with hot melt
Gland Bolts	Option a): ASTM A164 Zinc coated steel Hexagon bolt Option b): Stainless Steel - 316 Hexagon bolt

Standard Materials:

Body	Ductile iron ASTM A536
Bonnet	Cast iron ASTM A126 class B
Gland Flange	Ductile iron ASTM A536
Wrench Nut	Ductile Iron ASTM A536- painted black for open left, red for open right.
Coating	Electrostatically applied fusion- bonded epoxy-resin. Meets or exceeds AWWA C550
Stem	Standard: Stainless steel ASTM A582
Wedge	Ductile iron ASTM A536 encapsulated with EPDM-rubber compound
Wedge Nut, Thrust Collar	Bronze
Bonnet Bolts	Stainless Steel - 304 sealed with hot melt
Gland Bolts	Stainless Steel - 304 Hexagon bolt
Bonnet Gasket, Wiper Ring, O-Ring Stem Seals, O-Ring Gland Seal	ASTM D2000 Buna "N" nitrile rubber
NSF-61 approved (audited by UL)	



American AVK Company
an ISO 9001-2000 registered company

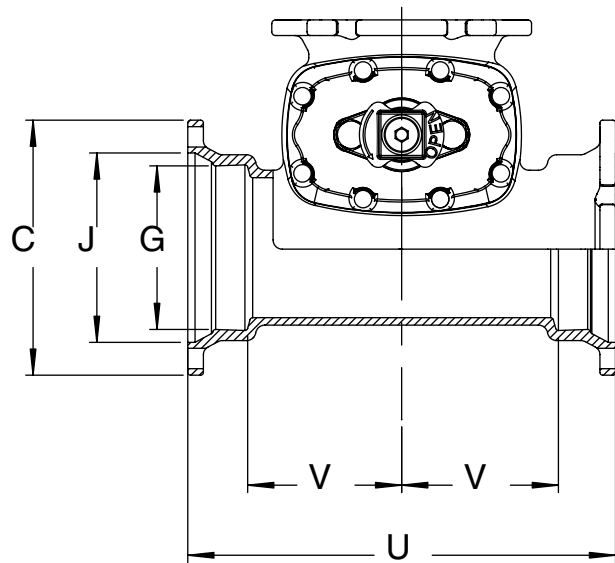
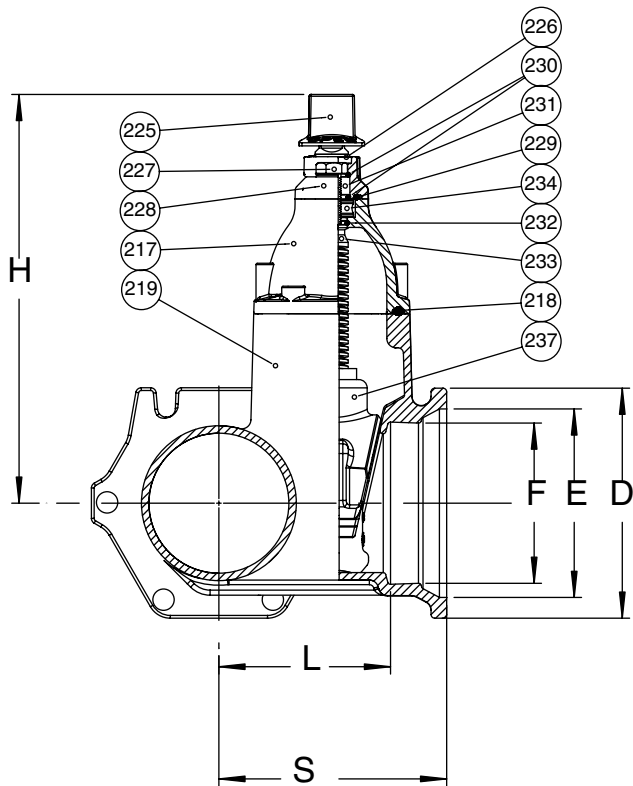
DS S1807X MJMJ
Subject to change without notice. (rev. 02/06)

AMERICAN AVK RESILIENT SEATED GATE VALVE - COMBITEE
250 PSI, Tested to AWWA C509 (NRS)
Mechanical Joint Ends - Valve Sizes 6"x6", 8"x6", 12"x6"

18/07X
MJxMJ

Component List:

- | | | |
|--------------------|------------------------------|-----------------------------|
| 217. Bonnet | 227. Gland Flange Bolt | 232. Lower Stem Seal O-Ring |
| 218. Bonnet Gasket | 228. Gland Flange | 233. NRS Stem |
| 219. Body | 229. Gland O-Ring | 234. Thrust Collar |
| 225. Wrench Nut | 230. Upper Stem Seal O-Rings | 237. Wedge |
| 226. Wiper Ring | 231. Stem Seal Bushing | |



Ref No.	Size	C	D	E	F	G	H	J	L	S	U	V	Turns to Open	Wt Lbs.
18-150-07X	6"x6"	9.86"	9.86"	8.13"	7.00"	7.00"	17.42"	8.13"	7.26"	10.48"	17.50"	6.25"	21	134
18-200-07X	8"x6"	13.39"	9.86"	8.13"	7.00"	9.15"	17.42"	10.27"	8.26"	10.76"	17.00"	6.00"	21	148
18-300-07X	12"x6"	16.65"	9.86"	8.13"	7.00"	13.30"	17.42"	14.44"	11.19"	13.69"	15.00"	5.00"	21	188

