

AMERICAN AVK RESILIENT SEATED GATE VALVE - COMBITEE
250 PSI, Tested to AWWA C509 (NRS)
Push-On (Tyton) for D.I. Sized Pipe - Valve Sizes 6"x6", 8"x6", 12"x6"

18/57X
POxPO

Use:

For water and neutral liquids to maximum 160°F.

Tests:

Hydraulic test to AWWA C509:

Shell Test: 500 PSI

Seat Test: 250 PSI

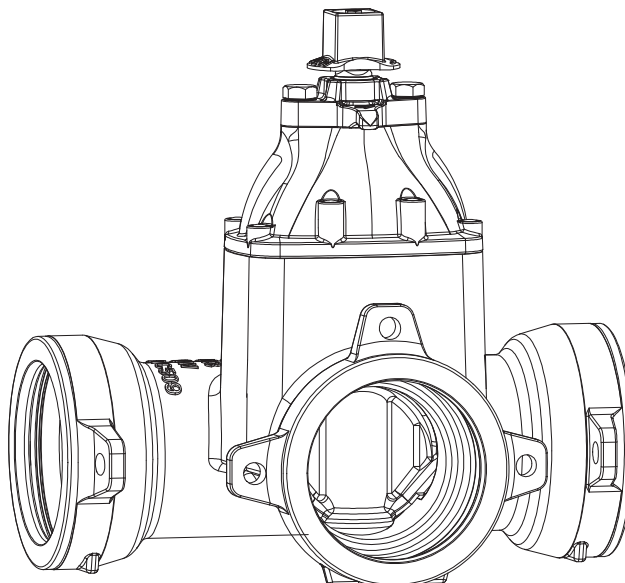
Operating Torque Test

Optional Materials:

Stem	Option a): Low zinc bronze ASTM A763
Anti Friction Washers	Polyamide
Bonnet Bolts	Option a): ASTM A164 zinc coated steel sealed with hot melt
	Option b): Stainless Steel - 316 sealed with hot melt
Gland Bolts	Option a): ASTM A164 Zinc coated steel Hexagon bolt
	Option b): Stainless Steel - 316 Hexagon bolt

Standard Materials:

Body, Bonnet,	Cast iron ASTM A126 class B
Gland Flange	Ductile iron ASTM A536
Wrench Nut	Ductile Iron ASTM A536- painted black for open left, red for open right.
Coating	Electrostatically applied fusion- bonded epoxy-resin. Meets or exceeds AWWA C550
Stem	Standard: Stainless steel ASTM A582
Wedge	Ductile iron ASTM A536 encapsulated with EPDM-rubber compound
Wedge Nut, Thrust Collar	Bronze
Bonnet Bolts	Stainless Steel - 304 sealed with hot melt
Gland Bolts	Stainless Steel - 304 Hexagon bolt
Bonnet Gasket, Wiper Ring, O-Ring Stem Seals, O-Ring Gland Seal	ASTM D2000 Buna "N" nitrile rubber
NSF-61 approved (audited by UL)	



American AVK Company
 an ISO 9001-2000 registered company

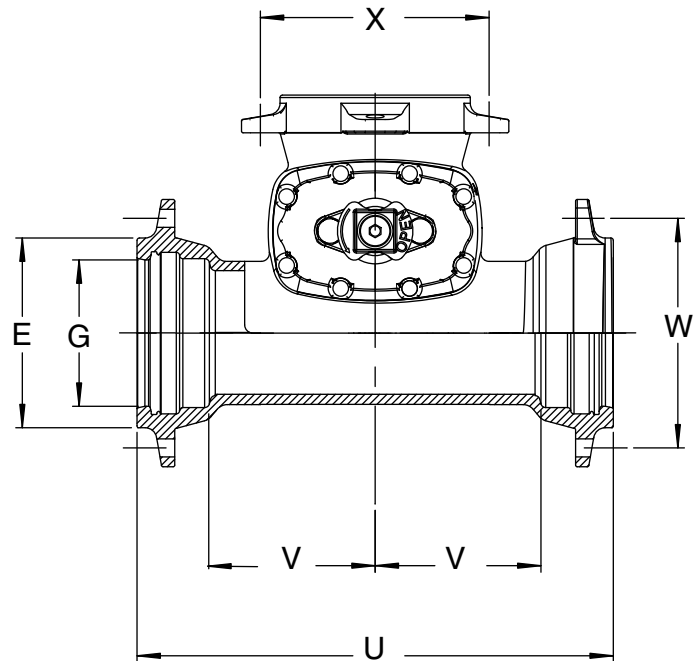
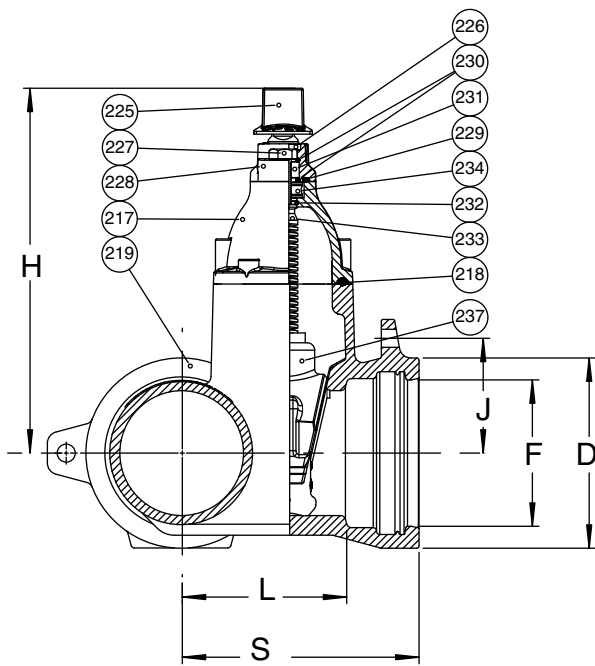
DS S1857X POPO
 Subject to change without notice. (rev. 05/08)

AMERICAN AVK RESILIENT SEATED GATE VALVE - COMBITEE
250 PSI, Tested to AWWA C509 (NRS)
Push-On (Tyton) for D.I. Sized Pipe - Valve Sizes 6"x6", 8"x6", 12"x6"

18/57X
POxPO

Component List:

- | | | |
|--------------------|------------------------------|-----------------------------|
| 217. Bonnet | 227. Gland Flange Bolt | 232. Lower Stem Seal O-Ring |
| 218. Bonnet Gasket | 228. Gland Flange | 233. NRS Stem |
| 219. Body | 229. Gland O-Ring | 234. Thrust Collar |
| 225. Wrench Nut | 230. Upper Stem Seal O-Rings | 237. Wedge |
| 226. Wiper Ring | 231. Stem Seal Bushing | |



Ref No.	Size	D	E	F	G	H	J	L	S	U	V	W	X	Turns to Open	Wt. (lbs.)
18-150-57X	6"x6"	9.13"	9.13"	7.02"	7.02"	17.42"	5.51"	6.00"	11.50"	22.87"	8.00"	11.20"	11.20"	21	178
18-200-57X	8"x6"	9.13"	11.46"	7.02"	9.18"	17.42"	5.51"	8.00"	12.50"	25.44"	9.00"	13.38"	11.20"	21	223
18-300-57X	12"x6"	9.13"	16.14"	7.02"	13.32"	17.42"	5.51"	12.00"	15.50"	31.63"	12.00"	18.62"	11.20"	21	381

