

**AMERICAN AVK RESILIENT SEATED GATE VALVE - COMBITEE**  
**250 PSI, Tested to AWWA C509 (NRS)**  
**Mechanical Joint Ends - Valve Sizes 6" x 6"**

**18/MMN**  
**MJxMJ**

**Use:**

For water and neutral liquids to maximum 160°F.

**Tests:**

Hydraulic test to AWWA C509:

Shell Test: 500 PSI

Seat Test: 250 PSI

Operating Torque Test

**Optional Materials:**

Stem Low zinc bronze  
 ASTM B763

Anti Friction Washers Polyamide

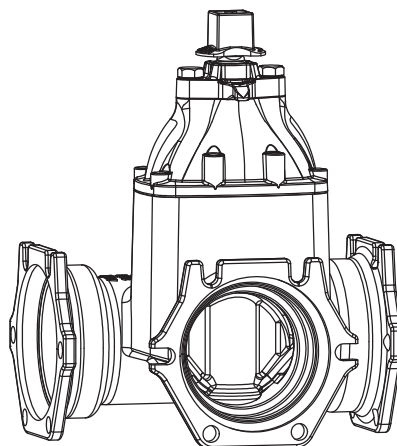
Bolting ASTM A164 zinc coated steel,  
 Stainless Steel - 316

**Standard Materials:**

Body	Ductile iron ASTM A536
Bonnet	Cast iron ASTM A126 class B
Gland Flange	Ductile iron ASTM A536
Wrench Nut	Ductile Iron ASTM A536- painted black for open left, red for open right.
Coating	Electrostatically applied fusion- bonded epoxy-resin. Meets or exceeds AWWA C550
Stem	Standard: Stainless steel ASTM A582
Wedge	Ductile iron ASTM A536 encapsulated with EPDM-rubber compound
Wedge Nut, Thrust Collar	Bronze
Bonnet Bolts	Stainless Steel - 304 sealed with hot melt
Gland Bolts	Stainless Steel - 304 Hexagon bolt
Bonnet Gasket, Wiper Ring, O-Ring Stem Seals, O-Ring Gland Seal	ASTM D2000 Buna "N" nitrile rubber

**Approvals:**

Certified to:  
 ANSI/NSF 61  
 ANSI/NSF 372

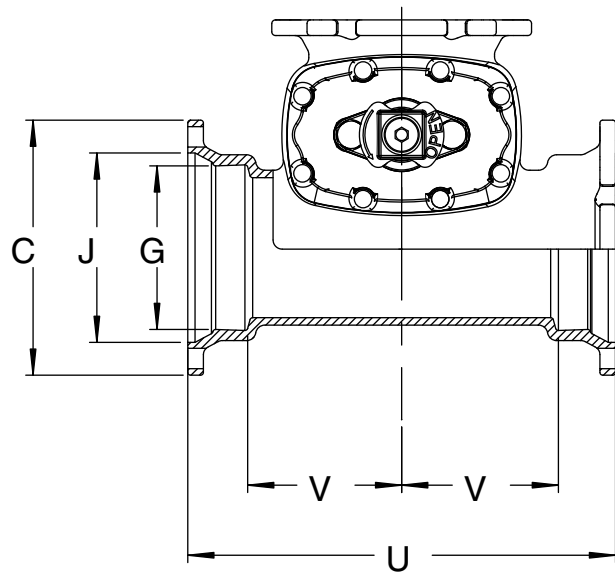
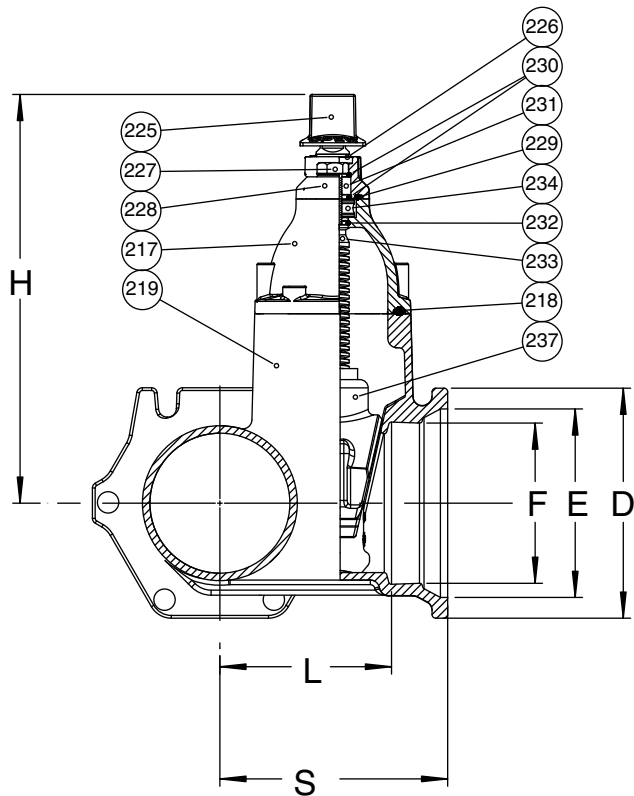


**AMERICAN AVK RESILIENT SEATED GATE VALVE - COMBITEE**  
**250 PSI, Tested to AWWA C509 (NRS)**  
**Mechanical Joint Ends - Valve Sizes 6"x 6"**

**18/MMN**  
**MJxMJ**

**Component List:**

- |                    |                              |                             |
|--------------------|------------------------------|-----------------------------|
| 217. Bonnet        | 227. Gland Flange Bolt       | 232. Lower Stem Seal O-Ring |
| 218. Bonnet Gasket | 228. Gland Flange            | 233. NRS Stem               |
| 219. Body          | 229. Gland O-Ring            | 234. Thrust Collar          |
| 225. Wrench Nut    | 230. Upper Stem Seal O-Rings | 237. Wedge                  |
| 226. Wiper Ring    | 231. Stem Seal Bushing       |                             |



Ref No.	Size	C	D	E	F	G	H	J	L	S	U	V	Turns to Open	Wt Lbs.
18-150-MM-N	6"x 6"	9.86"	9.86"	8.13"	7.00"	7.00"	17.42"	8.13"	7.26"	10.48"	17.50"	6.25"	21	134

