

**AMERICAN AVK BREAKABLE FLANGE UNIT & TRAFFIC REPAIR KIT  
FOR WET BARREL HYDRANTS**  
For all AVK Wet Barrel Hydrants

**24/8XX  
WBHTRAFFIC**

**Standard Materials:**

Break Rings

Ductile Iron ASTM A536

Wet Barrel Flange Section

Grey Iron ASTM A126 class B

Bolts, Nuts, Washers

Zinc plated steel

O-Ring

Nitrile rubber

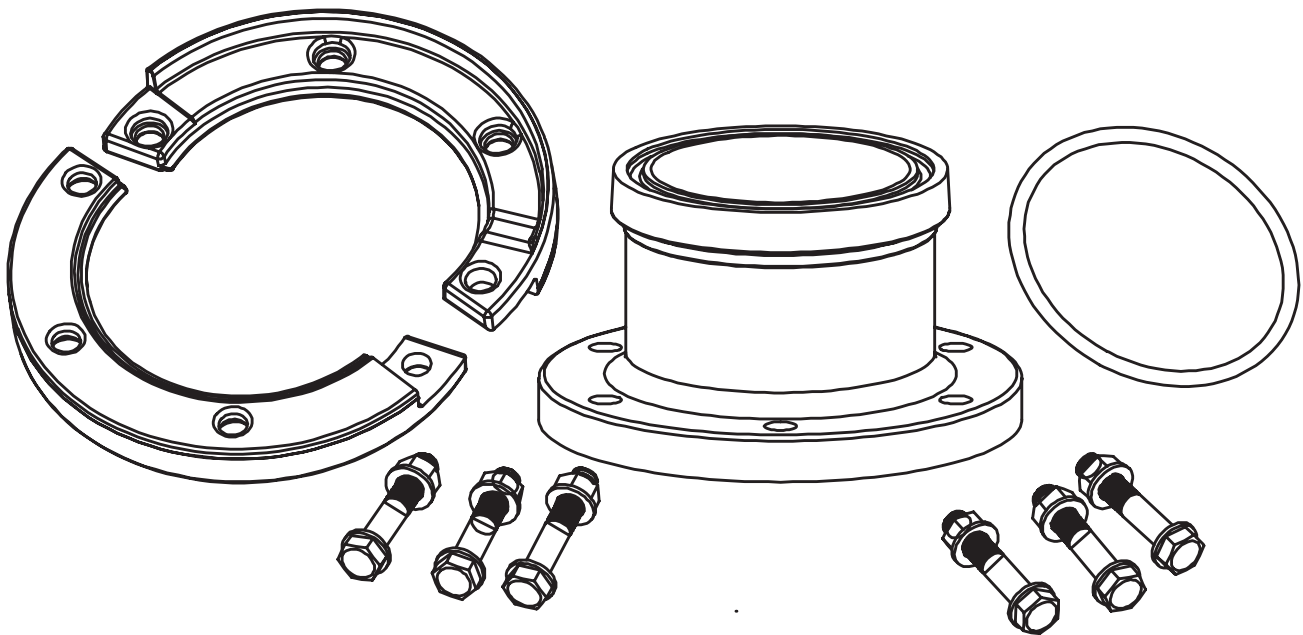
Coatings

Breakable Flanges - Fusion bonded epoxy coated.

**Optional Materials:**

Bolts, Nuts, Washers

Stainless steel, 304, 316



American AVK Company  
an ISO 9001-2000 registered company

DS S248XX WBHTRAFFIC  
Subject to change without notice. (rev. 07/06)

