

**AMERICAN AVK RESILIENT SEATED GATE VALVE**  
**250 PSI, Tested to AWWA C509 (NRS)**  
**Iron Pipe Size - Valve Sizes 2 1/2" - 8"**

**25/1X**  
**IPSxIPS**

**Use:**

For water and neutral liquids to maximum 160°F.

**Tests:**

Hydraulic test to AWWA C509:

Shell Test: 500 PSI

Seat Test: 250 PSI

Operating Torque Test

**Optional Materials:**

Stem                      Option a): For UL, FM, ULC  
    Low zinc bronze  
    ASTM B763

Anti Friction Washers Polyamide

Bonnet Bolts            Option a): For UL, FM, ULC  
    ASTM A164 zinc coated  
    steel sealed with hot melt

Option b): Stainless Steel - 316  
 sealed with hot melt

Gland Bolts            Option a): For UL, FM, ULC  
    ASTM A164 zinc coated  
    steel Hexagon bolt

Option b): Stainless Steel - 316  
 Hexagon bolt

**Standard Materials:**

Body, Bonnet,            Cast iron ASTM A126 class B  
 Gland Flange            Ductile iron ASTM A536  
 Coating                    Electrostatically applied fusion-  
    bonded epoxy-resin  
    Meets or exceeds AWWA C550

Wrench Nut                Ductile iron ASTM A536  
    - painted black for open left,  
    red for open right.

Stem                        Standard: Stainless Steel,  
    ASTM A582

Wedge                     Ductile iron ASTM A536  
    encapsulated with EPDM-rubber  
    compound

Wedge Nut                Bronze

Bonnet Bolts             Stainless Steel - 304  
    sealed with hot melt

Gland Bolts             Stainless Steel - 304

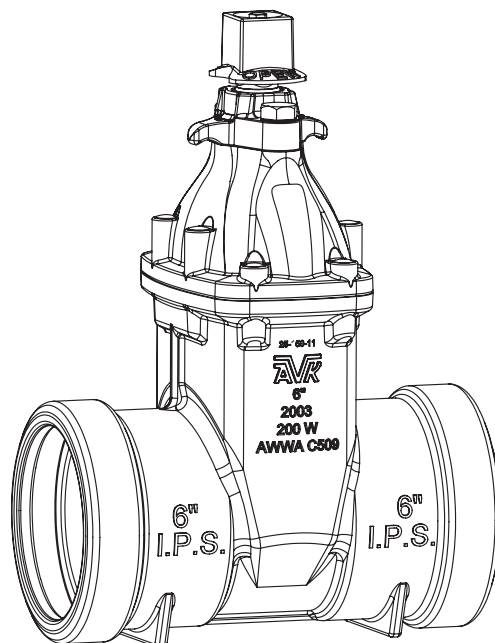
Hexagon bolt

Bonnet Gasket            ASTM D2000 Buna "N" nitrile  
 Wiper Ring,             rubber  
 O-Ring Stem Seals,  
 O-Ring Gland Seal

**Approvals:**



\*UL/ULC Listed,  
 \*FM Approved  
 NSF-61 (audited by UL)  
 \* Approved at 200 PSI working pressure



American AVK Company  
 an ISO 9001-2000 registered company

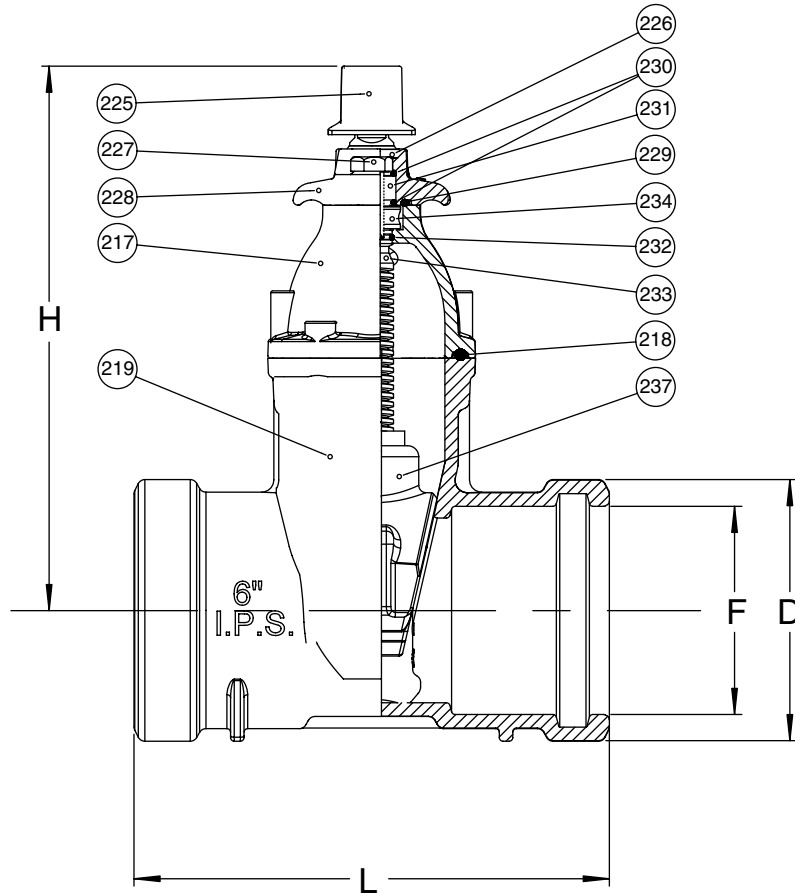
DS S251X IPS  
 Subject to change without notice. (rev. 02/06)

**AMERICAN AVK RESILIENT SEATED GATE VALVE**  
**250 PSI, Tested to AWWA C509 (NRS)**  
**Iron Pipe Size - Valve Sizes 2 ½" - 8"**

**25/1X**  
**IPSxIPS**

**Component List:**

217. Bonnet	227. Gland Flange Bolt	232. Lower Stem Seal O-Ring
218. Bonnet Gasket	228. Gland Flange	233. NRS Stem
219. Body	229. Gland O-Ring	234. Thrust Collar
225. Wrench Nut	230. Upper Stem Seal O-Rings	237. Wedge
226. Wiper Ring	231. Stem Seal Bushing	



Ref No.	Size	D	F	H	L	Holes	Weight (lbs.)
25-065-1X	2.5"	4.20"	2.98"	11.25"	11.38"	11	32
25-080-1X	3"	5.06"	3.61"	12.50"	11.10"	13	36
25-100-1X	4"	6.05"	4.61"	13.50"	11.73"	14	46
26-150-1X	6"	8.41"	6.75"	17.50"	15.30"	21	87
26-200-1X	8"	10.74"	8.75"	21.50"	16.46"	26	133

