

AMERICAN AVK RESILIENT SEATED GATE VALVE
250 PSI, Tested to AWWA C509 (NRS)
Mechanical Joint End by Flanged Ends - Valve Sizes 4" through 12", and 16"

25/3X
MJxFL

Use:

For water and neutral liquids to maximum 160°F.

Tests:

Hydraulic test to AWWA C509:

Shell Test: 500 PSI

Seat Test: 250 PSI

Operating Torque Test

Optional Materials:

Stem	Option a): For UL, FM, ULC Low zinc bronze ASTM B763
Anti Friction Washers	Polyamide
Bonnet Bolts	Option a): For UL, FM, ULC ASTM A164 zinc coated steel sealed with hot melt
	Option b): Stainless Steel - 316 sealed with hot melt
Gland Bolts	Option a): For UL, FM, ULC ASTM A164 zinc coated steel Hexagon bolt
	Option b): Stainless Steel - 316 Hexagon bolt

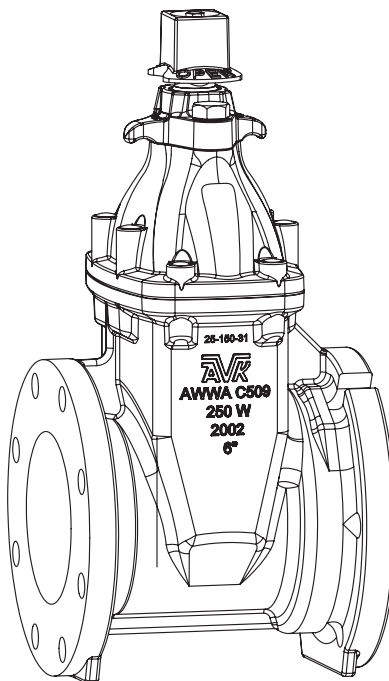
Standard Materials:

Body, Bonnet, Gland Flange Coating	Cast iron ASTM A126 class B Ductile iron ASTM A536 Electrostatically applied fusion- bonded epoxy-resin Meets or exceeds AWWA C550
Wrench Nut	Ductile iron ASTM A536 - painted black for open left, red for open right.
Stem	Standard: Stainless Steel, ASTM A582
Wedge	Ductile iron ASTM A536 encapsulated with EPDM-rubber compound
Wedge Nut	Bronze
Bonnet Bolts	Stainless Steel - 304 sealed with hot melt
Gland Bolts Hexagon bolt	Stainless Steel - 304
Bonnet Gasket Wiper Ring, O-Ring Stem Seals, O-Ring Gland Seal	ASTM D2000 Buna "N" nitrile rubber

Approvals:



*UL/ULC Listed,
 *FM Approved
 NSF-61 (audited by UL)
 * Approved at 200 PSI working pressure



American AVK Company
 an ISO 9001-2000 registered company

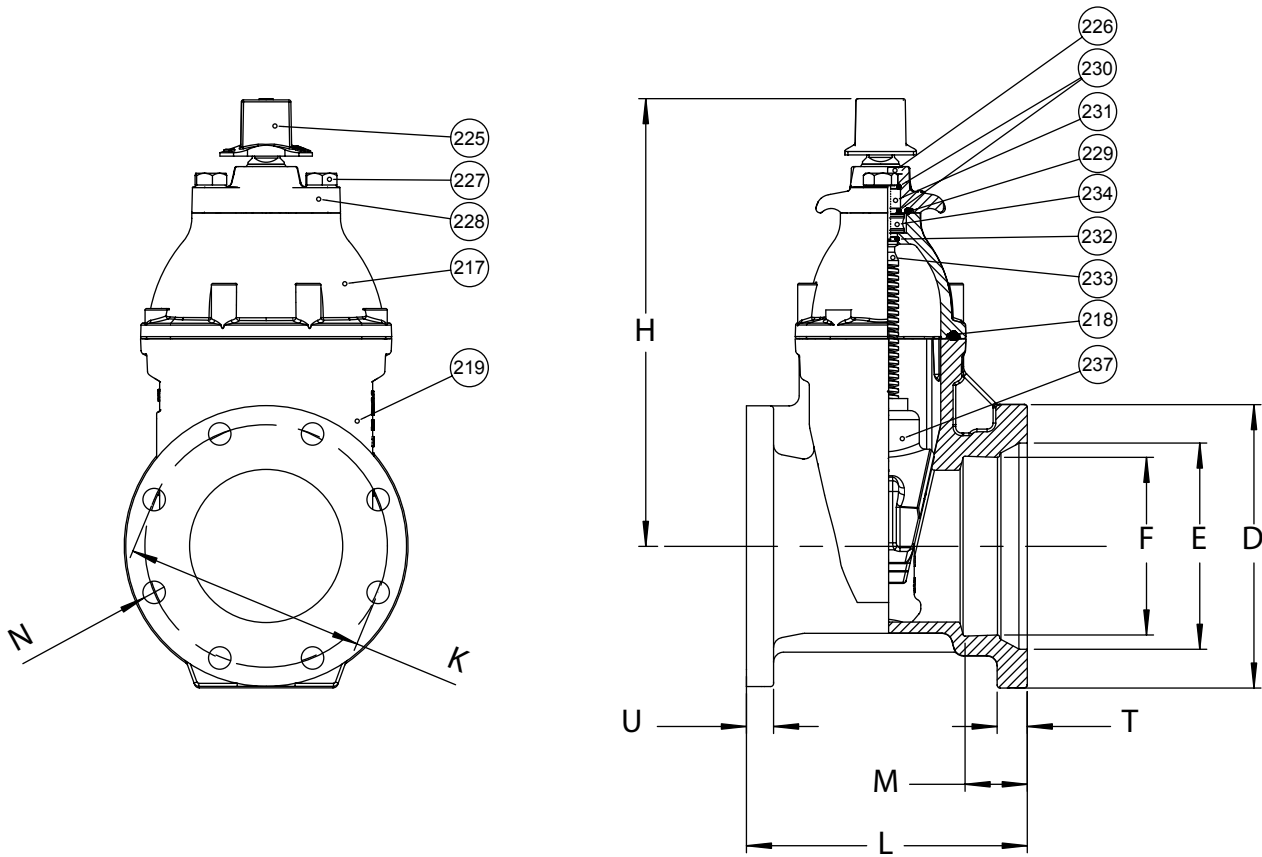
DS S253X MJFL
 Subject to change without notice. (rev. 02/06)

AMERICAN AVK RESILIENT SEATED GATE VALVE
250 PSI, Tested to AWWA C509 (NRS)
Mechanical Joint by Flanged Valve - Valve Sizes 4" through 12", and 16"

25/3X
MJxFL

Component List:

217. Bonnet	227. Gland Flange Bolt	232. Lower Stem Seal O-Ring
218. Bonnet Gasket	228. Gland Flange	233. NRS Stem
219. Body	229. Gland O-Ring	234. Thrust Collar
225. Wrench Nut	230. Upper Stem Seal O-Rings	237. Wedge
226. Wiper Ring	231. Stem Seal Bushing	



Ref No.	Size	D	E	F	K	H	L	M	N	T	U	Flange Holes	Turns to Open	Wt. Lbs.
25-100-3X	4"	9.12"	6.02"	4.90"	7.50"	13.50"	9.50"	2.50"	0.75"	1.00"	1.00"	8	14	64
25-150-3X	6"	11.12"	8.12"	7.00"	9.50"	17.50"	10.50"	2.50"	0.88"	1.18"	1.06"	8	21	103
25-200-3X	8"	13.37"	10.27"	9.15"	11.75"	21.50"	11.50"	2.50"	0.88"	1.24"	1.14"	8	26	158
25-250-3X	10"	15.69"	12.34"	11.20"	14.25"	24.75"	13.00"	2.50"	1.00"	1.14"	1.22"	12	32	245
25-300-3X	12"	17.88"	14.44"	13.29"	17.00"	27.63"	14.00"	2.50"	1.00"	1.22"	1.30"	12	38	340
25-400-3X	16"	22.56"	18.64"	17.54"	21.25"	34.75"	16.00"	3.50"	1.13"	1.33"	1.43"	16	51	820

