

AMERICAN AVK RESILIENT SEATED GATE VALVE
250 PSI, Tested to AWWA C509 (OS&Y)
ANSI B16.1 Class 125 Flanged x Flanged Ends - Valve Sizes 2 1/2" - 12"

25/46X
FLxFL

Use:

For water and neutral liquids to maximum 160°F.

Tests:

Hydraulic test to AWWA C509:

Shell Test: 500 PSI

Seat Test: 250 PSI

Operating Torque Test

Optional Materials:

Bonnet Bolts, Stud Bolts Stainless Steel - 304
 Washers, Nuts

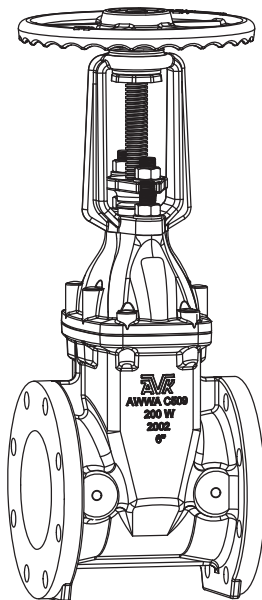
Standard Materials:

Body, Bonnet, 2.5"-10" 12"	Cast iron ASTM A126 class B Ductile iron ASTM A536
Bonnet, Handwheel	Cast iron ASTM A126 class B
Yoke, Gland Follower	Ductile iron ASTM A536
Coating	Electrostatically applied fusion-bonded epoxy-resin Meets or exceeds AWWA C550 Bronze
Stem, Anti-Friction Washer, Wedge Nut 2-piece Stem Nut	
Wedge	Ductile iron ASTM A536 encapsulated with EPDM - rubber compound.
Bonnet Bolts	2.5"-8": Zinc Plated Steel ASTM A164 10"-12": Grade 8 Steel
Stud Bolts, Washers, Nuts	Zinc Plated Steel
Bonnet Gasket, O-rings	NBR
Gland, Gland Bushing	Akulon

Approvals:



- *UL/ULC Listed,
- *FM Approved
- * Approved at 200 PSI working pressure



American AVK Company
 an ISO 9001 registered company

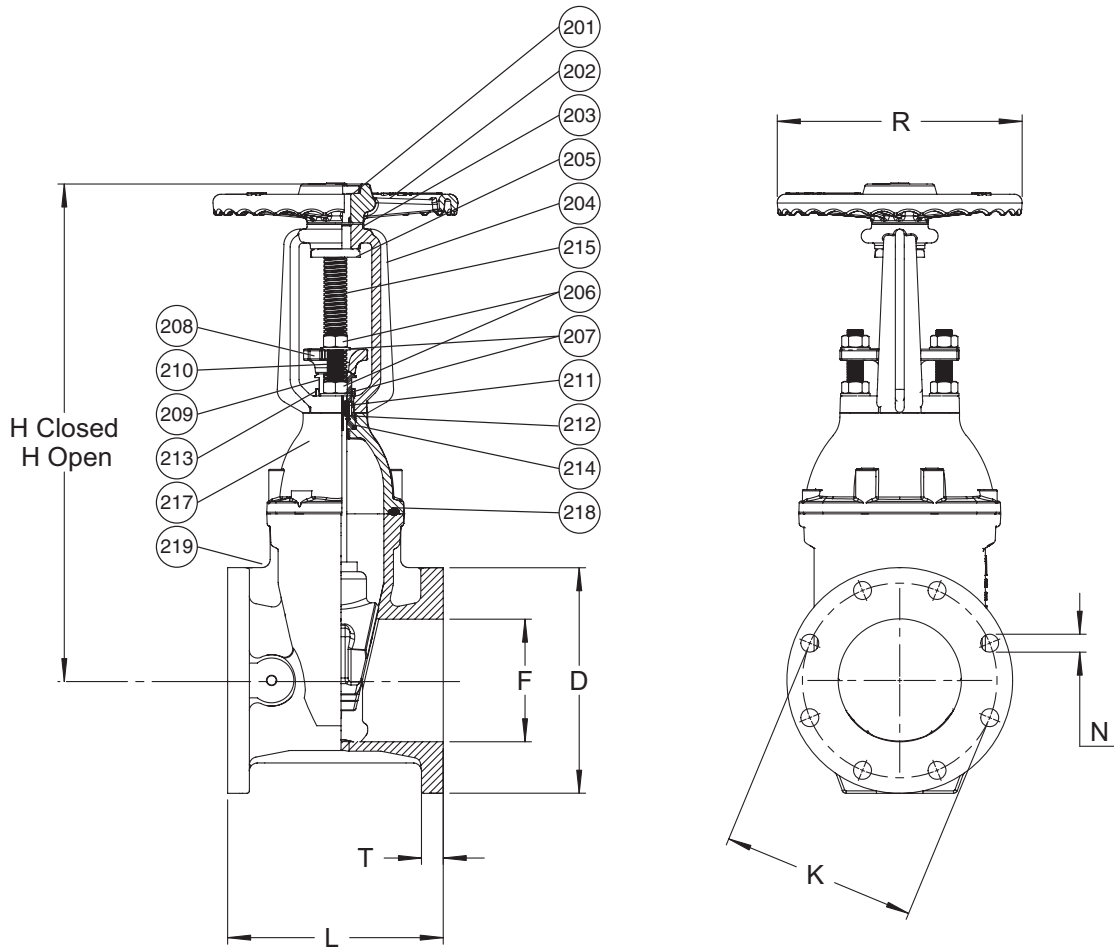
DS S2546X FLFL
 Subject to change without notice. (rev. 07/11)

AMERICAN AVK RESILIENT SEATED GATE VALVE
250 PSI, Tested to AWWA C509 (OS&Y)
ANSI B16.1 Class 125 Flanged x Flanged Ends - Valve Sizes 2 1/2" - 12"

25/46X
FLxFL

Component List:

201. Upper Stem Nut	208. Gland Follower	215. OS&Y Stem Assembly
202. OS&Y Handwheel	209. Gland	216. Bonnet Bolts (Not Shown)
203. Anti-Friction Washer	210. Stud Bolt	217. Bonnet
204. Yoke	211. Stem Seal O-rings	218. Bonnet Gasket
205. Lower Stem Nut	212. Inner Bushing O-ring	219. Body
206. Gland Follower/Yoke Nut	213. OS&Y Bushing	
207. Gland Follower/Yoke Washer	214. Outer Bushing O-ring	



Ref. nos.	Size	D	F	H open	H closed	K	L	N	R	T	Flange holes	Turns to open	Wt. Lbs.
25-065-46X	2.5"	7.00"	2.50"	17.50"	15.00"	5.50"	7.50"	0.75"	7.00"	0.70"	4	17	42
25-080-46X	3"	7.50"	3.00"	18.63"	15.63"	6.00"	8.00"	0.75"	7.00"	0.79"	4	20	56
25-100-46X	4"	9.00"	4.00"	22.63"	18.63"	7.50"	9.00"	0.75"	10.00"	1.00"	8	21	84
25-150-46X	6"	11.00"	6.00"	31.00"	25.00"	9.50"	10.50"	0.88"	12.00"	1.06"	8	26	138
25-200-46X	8"	13.50"	8.00"	39.00"	31.00"	11.75"	11.50"	0.88"	14.00"	1.14"	8	35	211
25-250-46X	10"	16.00"	10.00"	46.80"	36.80"	14.25"	13.00"	1.00"	17.00"	1.22"	12	37	303
25-300-46X	12"	19.00"	12.00"	53.50"	41.50"	17.00"	14.00"	1.00"	17.00"	1.30"	12	44	431

