

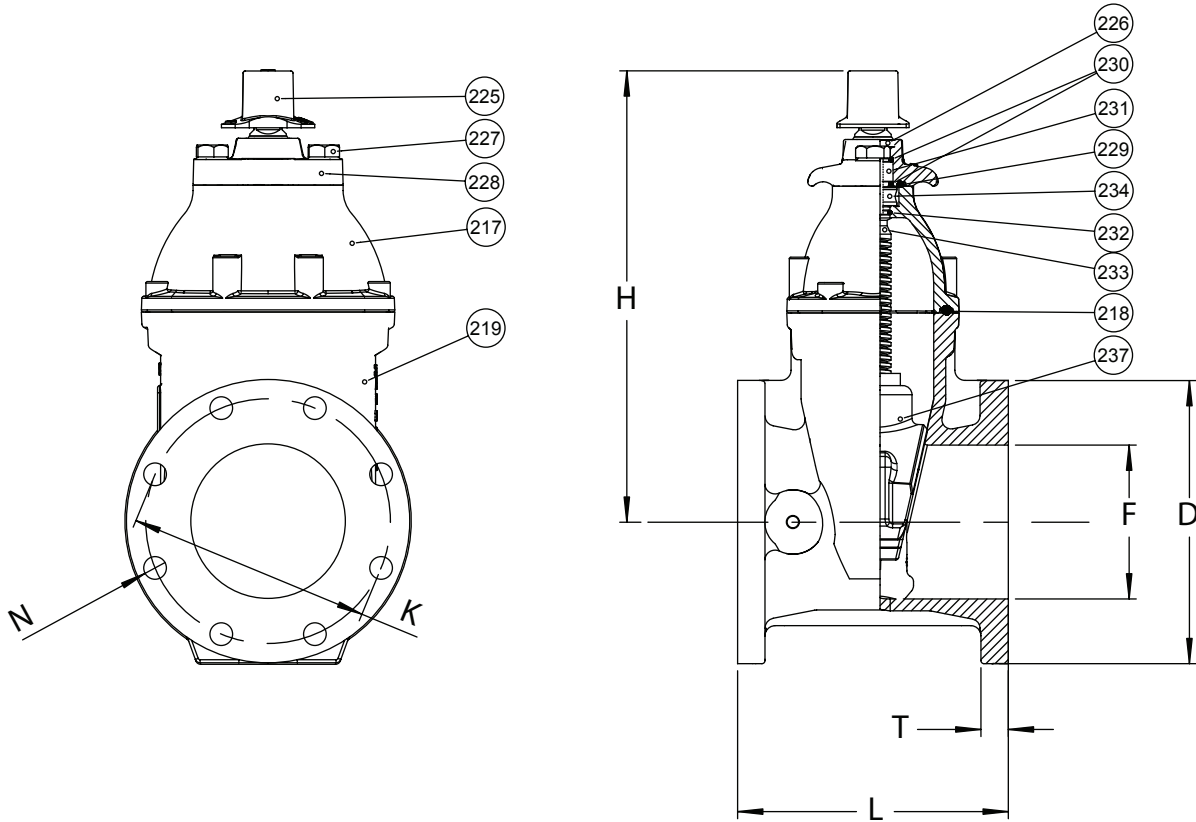


**AMERICAN AVK RESILIENT SEATED GATE VALVE**  
**250 PSI, Tested to AWWA C509 (NRS)**  
**ANSI B16.1 Class 125 Flanged x Flanged Ends - Valve Sizes 2" - 16"**

**25/4X**  
**FLxFL**

**Component List:**

217. Bonnet	227. Gland Flange Bolt	232. Lower Stem Seal O-Ring
218. Bonnet Gasket	228. Gland Flange	233. NRS Stem
219. Body	229. Gland O-Ring	234. Thrust Collar
225. Wrench Nut	230. Upper Stem Seal O-Rings	237. Wedge
226. Wiper Ring	231. Stem Seal Bushing	



Ref No.	Size	D	F	H	K	L	N	T	Flange Holes	Turns to Open	Wt. Lbs.
25-050-4X	2"	6.00"	2.00"	10.56"	4.75"	7.00"	0.75"	0.63	4	11	29
25-065-4X	2.5"	7.00"	2.50"	12.25"	5.50"	7.50"	0.75"	0.70"	4	11	38
25-080-4X	3"	7.50"	3.00"	12.09"	6.00"	8.00"	0.75"	0.79"	4	13	43
25-100-4X	4"	9.00"	4.00"	13.50"	7.50"	9.00"	0.75"	1.00"	8	14	64
25-150-4X	6"	11.00"	6.00"	17.50"	9.50"	10.50"	0.88"	1.06"	8	21	98
25-200-4X	8"	13.50"	8.00"	21.50"	11.75"	11.50"	0.88"	1.14"	8	26	154
25-250-4X	10"	16.00"	10.00"	24.75"	14.25"	13.00"	1.00"	1.22"	12	32	269
25-300-4X	12"	19.00"	12.00"	27.63"	17.00"	14.00"	1.00"	1.30"	12	38	391
25-350-4X	14"	20.98"	13.78"	34.17"	18.75"	15.00"	1.13	1.18"	12	51	616
25-400-4X	16"	23.50"	16.00"	34.74"	21.25"	16.00"	1.13"	1.44"	16	51	789

