

**AMERICAN AVK HIGH PRESSURE, 250 PSI, NOSTALGIC,
SINGLE PUMPER, DRY BARREL HYDRANT**

**2760
NOSTALGIC SINGLE PUMPER**

Meets or exceeds AWWA C502 (latest) - Working Pressure - 250 PSI

Inlet Bases: Flanged in accordance with ANSI B16.1 Class 125,

Mechanical and Push-On Joint in accordance with ANSI/AWWA C111/A21.11

Use:

For water and neutral liquids to maximum 160°F.

Tests:

Hydraulic test to AWWA C502:

Seat Test: 500 PSI

**Approvals: UL/FM Approvals do not recognize
single pumper configurations**

Components:

Nozzle Section, Bonnet, Barrels, Standpipe Flanges,
Breakable Flange, Main Valve Flange, Base, Monitor Elbow

Caps, Weathershield

Nozzles, Valve Seat Ring, Drain Ring
Operating Nut, Thrust Nut

Brass Fittings, Brass Plugs

Main Valve

Stem Rod Couplings, Lock Rings, Nozzle Retaining
Screw, Lock Plate, Lock Plate Screw, Spider Bolt, Stop Pins,
Coupler Pins, Main Valve Retaining Pin, Spring Pins,

Coating

Stop Nut, Chain Set, Hardware

Barrel Gasket, Cap Gasket, O-rings

Lubrication Hole Seal

Anti-Friction Washer

Base Elbow / Inlet Configuration

6" MJ

4" MJ

8" MJ*

*Not UL/ULC Listed or FM Approved

Standard:

Ductile Iron ASTM A536

Cast Iron ASTM A126 Class "B"

Bronze

Brass

Ductile iron core, fully encapsulated with EPDM rubber.

Stainless Steel

Above ground - Fusion bonded epoxy inside and out. Below
ground - Bitumen/Fusion bonded epoxy. Epoxy meets or
exceeds AWWA C550 (latest)

Zinc Plated Steel

NBR - (Barrel Gasket with 304 stainless insert)

Oil Resistant Rubber

Polyamide

6" Flanged

4" Flanged

Straight Flanged 6"

6" Push-on

4" PE*

6" PE*

Optional Materials:

Hardware

Upper Stem Rod

Lower Stem Rod

Opening Direction

Zinc Plated

304 Stainless

304 Stainless

Open Left

304 Stainless

Epoxy Coated Steel

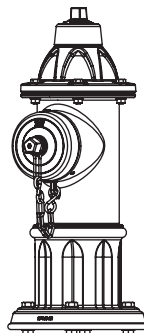
Epoxy Coated Steel

Open Right

316 Stainless



American AVK Company
an ISO 9001 registered company



Series 2760, Single Pumper

DS S2760 NOSTALGIC SINGLE PUMPER
Subject to change without notice. (rev. 05/11)

AMERICAN AVK HIGH PRESSURE, 250 PSI, NOSTALGIC, SINGLE PUMPER, DRY BARREL HYDRANT

2760

NOSTALGIC SINGLE PUMPER

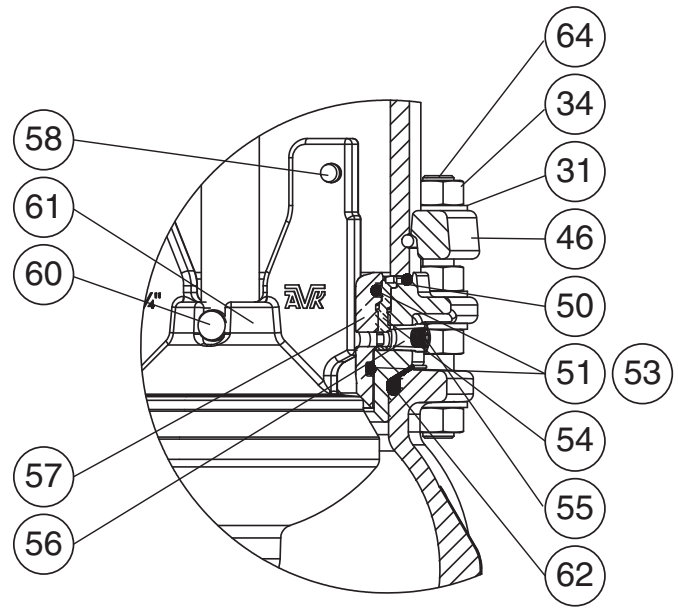
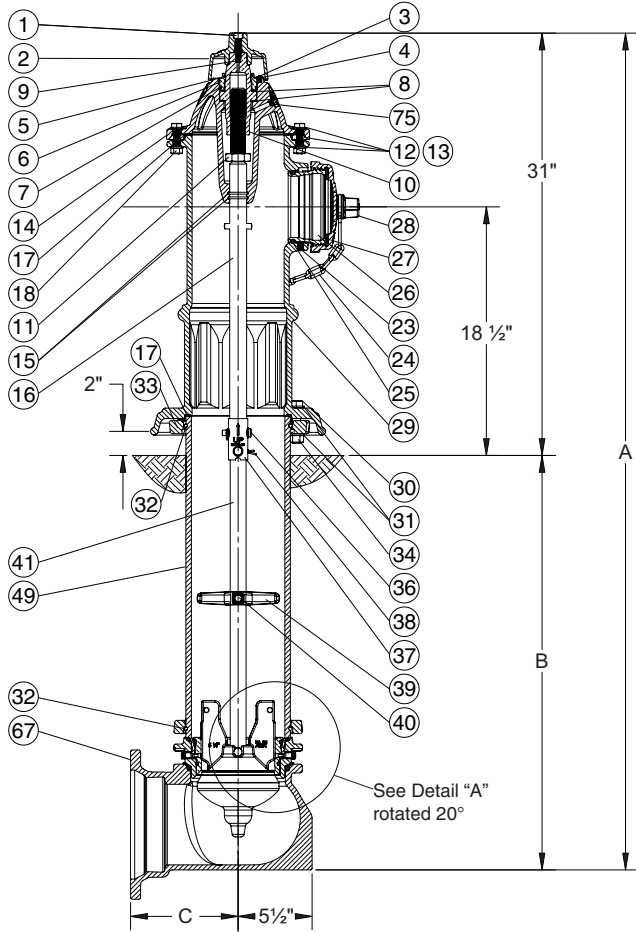
Meets or exceeds AWWA C502 (latest) - Working Pressure - 250 PSI

Inlet Bases: Flanged in accordance with ANSI B16.1 Class 125,

Mechanical and Push-On Joint in accordance with ANSI/AWWA C111/A21.11

Component List:

- | | | | |
|----------------------------|---------------------------------|----------------------------------|-------------------------------|
| 1. Weathershield Bolt | 17. Barrel Gasket | 38. Spring Pin | 61. Main Valve Disc -Detail A |
| 2. Weathershield | 18. Bonnet Nut | 39. Spider | 62. Base Gasket -Detail A |
| 3. Lock Plate Screw | 23. Nozzle Retaining Screw | 40. Spider Bolt | 64. Stud Bolt -Detail A |
| 4. Lock Plate | 24. Chain Set | 41. Lower Stem Rod | 67. Base |
| 5. Inner Thrust Nut O-ring | 25. Pumper Nozzle O-ring | 46. Standpipe Flange -Detail A | 75. Zerk Fitting |
| 6. Thrust Nut | 26. Pumper Nozzle | 49. Lower Barrel | |
| 7. Outer Thrust Nut O-ring | 27. Pumper Nozzle Gasket | 50. Lower Barrel O-ring Detail A | |
| 8. Anti-Friction Washer | 28. Pumper Nozzle Cap | 51. Valve Seat O-ring -Detail A | |
| 9. Lubrication Hole Seal | 29. Nozzle Section | 53. Valve Seat O-ring -Detail A | |
| 10. Operating Nut | 30. Nozzle Section Bolt | 54. Drain Ring -Detail A | |
| 11. Stop Nut | 31. Nozzle Section Washer | 55. Brass Plug -Detail A | |
| 12. Bonnet Bolt | 32. Lock Ring | 56. Brass Fitting -Detail A | |
| 13. Bonnet Washer | 33. Breakable Flange | 57. Main Valve Flange -Detail A | |
| 14. Bonnet | 34. Nozzle Section Nut | 58. Stop Pin -Detail A | |
| 15. Stem Seal O-rings | 36. Coupler Pin | 60. Main Valve Retaining Pin | |
| 16. Upper Stem Rod | 37. Breakable Stem Rod Coupling | -Detail A | |



Detail "A"

Ref No.	Outlets	A	B*	C			
				Flanged	MJ	Push-on	PE
27-60 - 4"	1x4"/4½"	49" - 247"	18" - 216"	8.00"	8.00"	N/A	23.70"
27-60 - 6"	1x4"/4½"	49" - 247"	18" - 216"	8.00"	8.00"	9.00"	22.80"
27-60 - 8"	1x4"/4½"	49" - 247"	18" - 216"	N/A	9.38"	N/A	N/A

* Buries greater than 216" available upon request.

