

# AMERICAN AVK EXTENSION KIT FOR DRY BARREL HYDRANTS

Extension kits in lengths of 6" to 60" in 6" increments  
For all AVK Dry Barrel Hydrants

27/70X  
DBHEXT

## Standard Materials:

Extension Barrel, Standpipe Flanges

Ductile Iron ASTM A536

Extension Coupling, Coupling Pins, Lock Rings, Spring Pins, Extension Stem Rod

Stainless Steel

Bolts, Nuts, Washers

Zinc plated steel

Barrel Gasket

Nitrile rubber with stainless steel insert

Spider

Polyurethane

Coatings

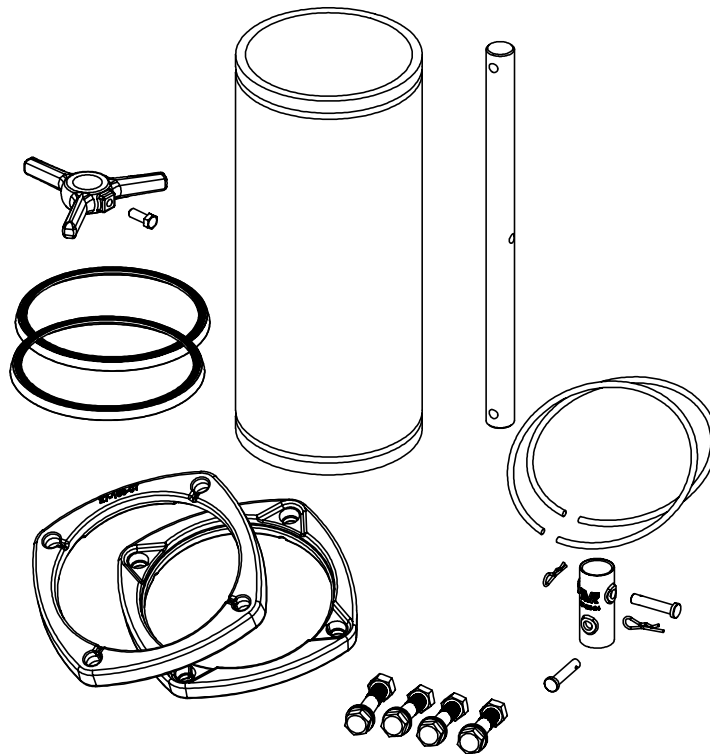
Standpipe Flanges - Fusion bonded epoxy coated.

Extension Barrel - Bitumen coated, inside and out

## Optional Materials:

Bolts, Nuts, Washers

Stainless steel, 304, 316



# AMERICAN AVK EXTENSION KIT FOR DRY BARREL HYDRANTS

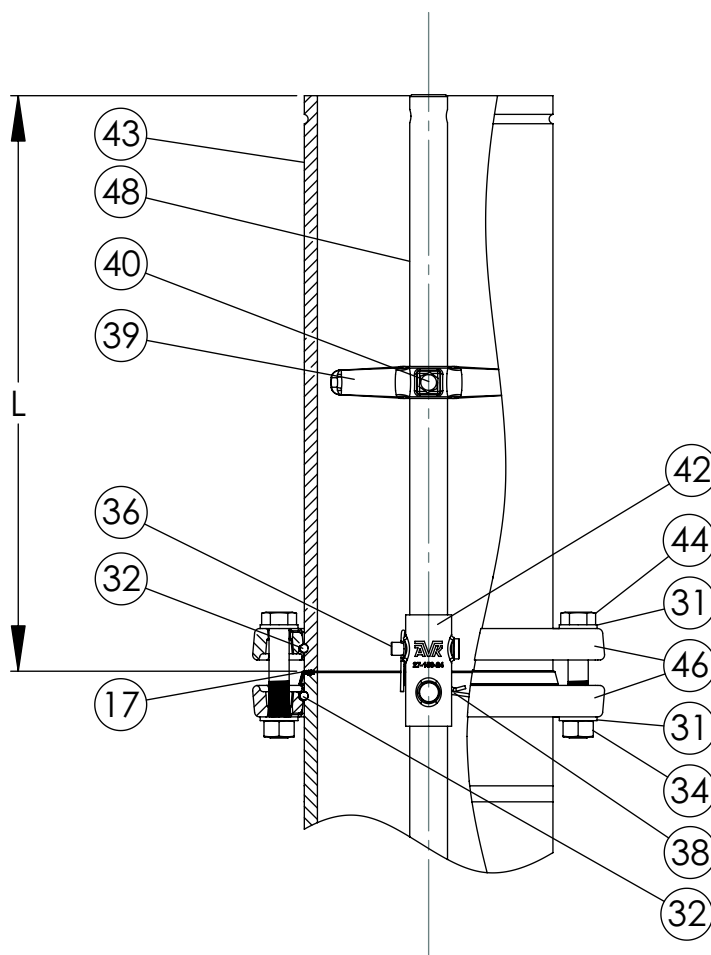
Extension kits in lengths of 6" to 60" in 6" increments

For all AVK Dry Barrel Hydrants

**27/70X  
DBHEXT**

**Component List:**

- |                   |                                 |                        |
|-------------------|---------------------------------|------------------------|
| 17. Barrel Gasket | 39. Spider                      | 48. Extension Stem Rod |
| 31. Washer        | 40. Spider Bolt                 |                        |
| 32. Lock Ring     | 42. Extension Coupling          |                        |
| 34. Nut           | 43. Extension Barrel            |                        |
| 36. Coupler Pin   | 44. Upper/Extension Barrel Bolt |                        |
| 38. Spring Pin    | 46. Standpipe Flange            |                        |



Ref. nos.	L	Weight Lbs per foot
-----------	---	------------------------

27-150-70-X-100	6" - 60"	40
-----------------	----------	----

X = Length

0 = 6"	4 = 30"	8 = 54"
--------	---------	---------

1 = 12"	5 = 36"	9 = 60"
---------	---------	---------

2 = 18"	6 = 40"	
---------	---------	--

3 = 24"	7 = 48"	
---------	---------	--

