

**AMERICAN AVK TRAFFIC SECTION REPAIR KIT  
FOR DRY BARREL HYDRANTS**  
For all AVK Dry Barrel Hydrants

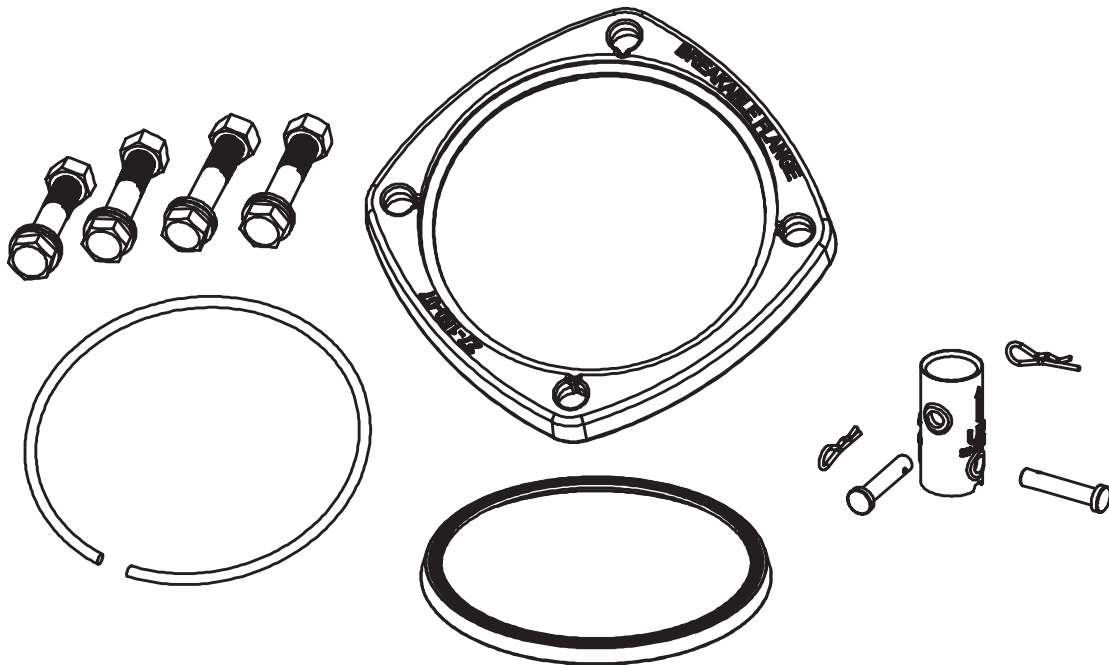
**27/75X  
DBHTRAFFIC**

**Standard Materials:**

Breakable Flanges	Ductile Iron ASTM A536
Breakable Coupling, Coupling Pins, Lock Rings, Spring Pins	Stainless Steel
Bolts, Nuts, Washers	Zinc plated steel
Barrel Gasket	Nitrile rubber with stainless steel insert
Coatings	Breakable Flanges - Fusion bonded epoxy coated.

**Optional Materials:**

Bolts, Nuts, Washers	Stainless steel, 304
----------------------	----------------------



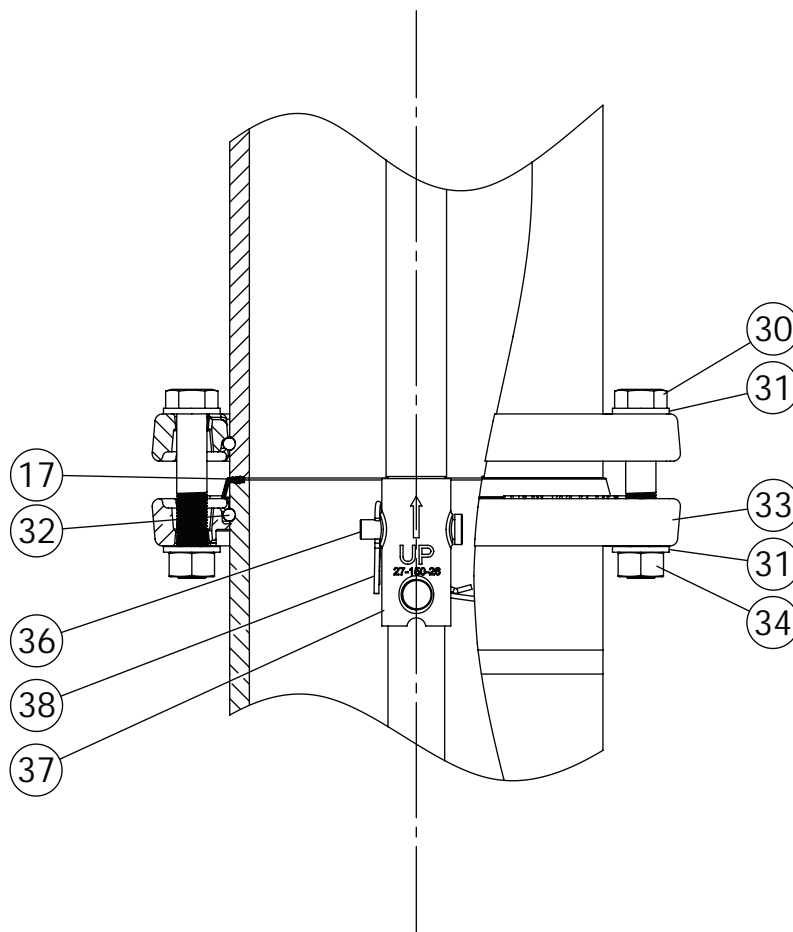
# AMERICAN AVK TRAFFIC SECTION REPAIR KIT FOR DRY BARREL HYDRANTS

For all AVK Dry Barrel Hydrants

27/75X  
DBHTRAFFIC

### Component List:

- |                         |                        |
|-------------------------|------------------------|
| 17. Barrel Gasket       | 34. Nut                |
| 30. Nozzle Section Bolt | 36. Coupler Pin        |
| 31. Washer              | 37. Breakable Coupling |
| 32. Lock Ring           | 38. Spring Pin         |
| 33. Breakable Flange    |                        |



Ref. nos.	Content	Weight Lbs.
-----------	---------	----------------

27-150-75-X-0-XX	Traffic section repair kit	24
	X - Bolting	
	1= Plated bolts for model 2700	
	2= Stainless steel bolts for model 2700	
	3= Plated bolts for model 2780	
	4= Stainless steel bolts for model 2780	

XX - Coating
00 - 250my blue
01 - 250my red
04 - 250my yellow
05 - Silver alu.
06 - Red rust primer
07 - Safety orange
24 - Polyurethane HBF #IF5008, Red.
36 - Lime Green
90 - Uncoated

