

**AMERICAN AVK HIGH PRESSURE, 250 PSI, NOSTALGIC,  
DRY BARREL HYDRANT**

**2780  
NOSTALGIC**

Meets or exceeds AWWA C502 (latest) - Working Pressure - 250 PSI

Inlet Bases: Flanged in accordance with ANSI B16.1 Class 125,

Mechanical and Push-On Joint in accordance with ANSI/AWWA C111/A21.11

**Use:**

For water and neutral liquids to maximum 160°F.

**Tests:**

Hydraulic test to AWWA C502:

Seat Test: 500 PSI

**Approvals:**  
UL/ULC Listed,  
FM Approved



**Components:**

Nozzle Section, Bonnet, Barrels, Standpipe Flanges,  
Breakable Flange, Main Valve Flange, Base, Monitor Elbow

Caps, Weathershield

Nozzles, Valve Seat Ring, Drain Ring  
Operating Nut, Thrust Nut

Brass Fittings, Brass Plugs

Main Valve

Stem Rod Couplings, Lock Rings, Nozzle Retaining  
Screw, Lock Plate, Lock Plate Screw, Spider Bolt, Stop Pins,  
Coupler Pins, Main Valve Retaining Pin, Spring Pins,

Coating

Stop Nut, Chain Set, Hardware

Barrel Gasket, Cap Gasket, O-rings

Lubrication Hole Seal

Anti-Friction Washer

Base Elbow / Inlet Configuration

6" MJ

4" MJ

8" MJ\*

6" Flanged

4" Flanged

Straight Flanged 6"

6" Push-on

4" PE\*

6" PE\*

\*Not UL/ULC Listed or FM Approved

**Standard:**

Ductile Iron ASTM A536

Cast Iron ASTM A126 Class "B"

Bronze

Brass

Ductile iron core, fully encapsulated with EPDM rubber.

Stainless Steel

Above ground-Fusion bonded epoxy inside and out. Below  
ground - Bitumen/Fusion bonded epoxy. Epoxy meets or  
exceeds AWWA C550 (latest)

Zinc Plated Steel

NBR - ( Barrel Gasket with 304 stainless insert )

Oil Resistant Rubber

Polyamide

**Optional Materials:**

Hardware

Upper Stem Rod

Lower Stem Rod

Zinc Plated

304 Stainless

304 Stainless

304 Stainless

Epoxy Coated Steel

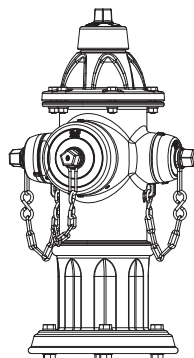
Epoxy Coated Steel

316 Stainless

Opening Direction

Open Left

Open Right



Series 2780  
1 Pumper, 2 Hose Outlet



American AVK Company  
an ISO 9001-2000 registered company

DS S2780 NOSTALGIC  
Subject to change without notice. (rev. 12/07)

# AMERICAN AVK HIGH PRESSURE, 250 PSI, NOSTALGIC, DRY BARREL HYDRANT

2780  
NOSTALGIC

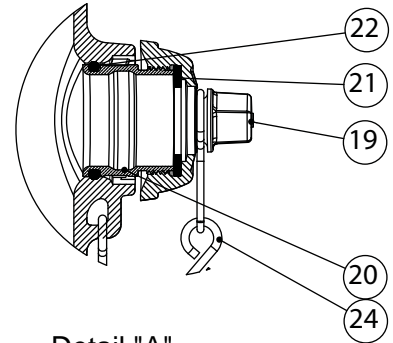
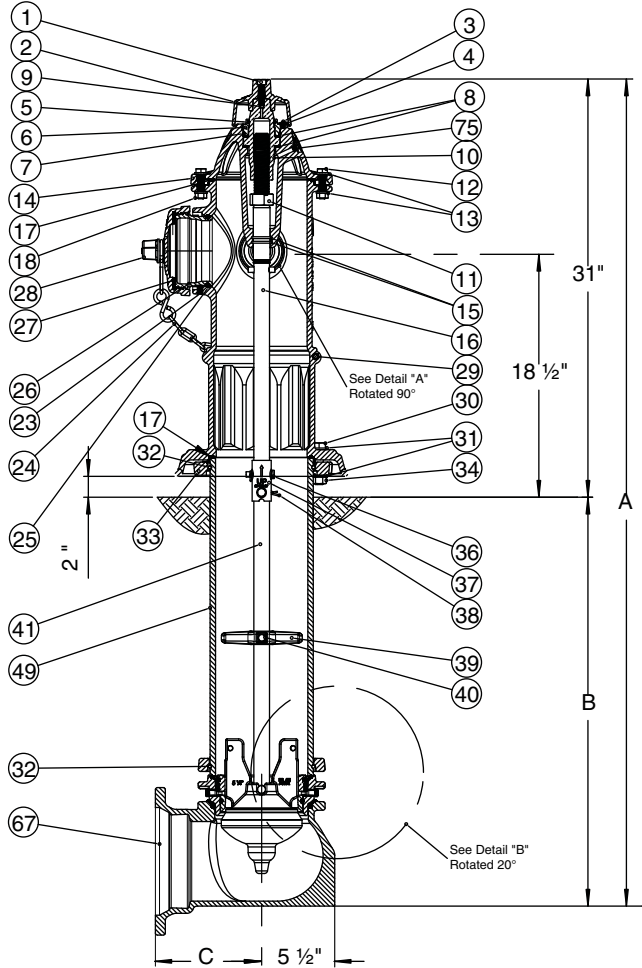
Meets or exceeds AWWA C502 (latest) - Working Pressure - 250 PSI

Inlet Bases: Flanged in accordance with ANSI B16.1 Class 125,

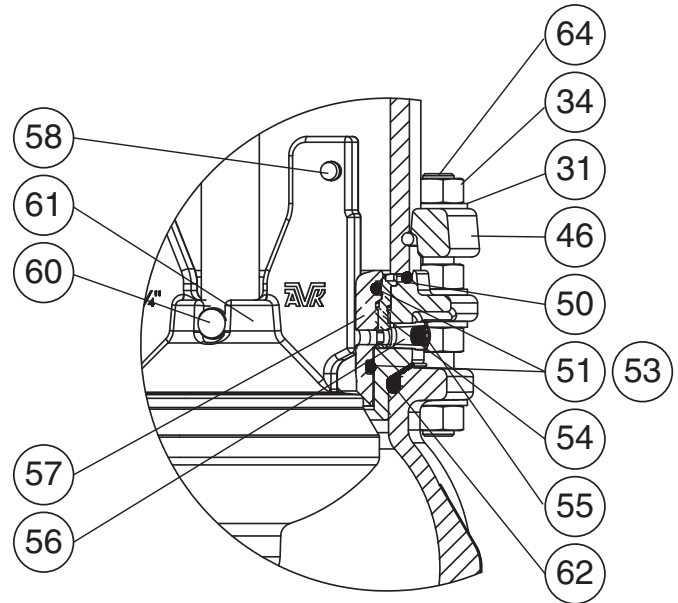
Mechanical and Push-On Joint in accordance with ANSI/AWWA C111/A21.11

## Component List:

- |                            |                                      |                                  |  |
|----------------------------|--------------------------------------|----------------------------------|--|
| 1. Weathershield Bolt      | 17. Barrel Gasket                    | 33. Breakable Flange             | 56. Brass Fitting -Detail B            |
| 2. Weathershield           | 18. Bonnet Nut                       | 34. Nozzle Section Nut           | 57. Main Valve Flange -Detail B        |
| 3. Lock Plate Screw        | 19. Hose Nozzle Cap -Detail A        | 36. Coupler Pin                  | 58. Stop Pin -Detail B                 |
| 4. Lock Plate              | 20. Hose Nozzle -Detail A            | 37. Breakable Stem Rod Coupling  | 60. Main Valve Retaining Pin -Detail B |
| 5. Inner Thrust Nut O-ring | 21. Hose Nozzle Cap Gasket -Detail A | 38. Spring Pin                   | 61. Main Valve Disc -Detail B          |
| 6. Thrust Nut              | 22. Hose Nozzle O-ring - Detail A    | 39. Spider                       | 62. Base Gasket -Detail B              |
| 7. Outer Thrust Nut O-ring | 23. Nozzle Retaining Screw           | 40. Spider Bolt                  | 64. Stud Bolt -Detail B                |
| 8. Anti-Friction Washer    | 24. Chain Set -Detail A              | 41. Lower Stem Rod               | 67. Base                               |
| 9. Lubrication Hole Seal   | 25. Pumper Nozzle O-ring             | 46. Standpipe Flange -Detail B   | 75. Zerk Fitting                       |
| 10. Operating Nut          | 26. Pumper Nozzle                    | 49. Lower Barrel                 |  |
| 11. Stop Nut               | 27. Pumper Nozzle Gasket             | 50. Lower Barrel O-ring Detail B |  |
| 12. Bonnet Bolt            | 28. Pumper Nozzle Cap                | 51. Valve Seat O-ring -Detail B  |  |
| 13. Bonnet Washer          | 29. Nozzle Section                   | 53. Valve Seat O-ring -Detail B  |  |
| 14. Bonnet                 | 30. Nozzle Section Bolt              | 54. Drain Ring -Detail B         |  |
| 15. Stem Seal O-rings      | 31. Nozzle Section Washer            | 55. Brass Plug -Detail B         |  |
| 16. Upper Stem Rod         | 32. Lock Ring                        |                                  |  |



Detail "A"



Detail "B"

Ref No.	Outlets	A	B*	C			
				Flanged	MJ	Push-on	PE
27-80 - 4"	2x2½", 1x4"/4½"	49" - 247"	18" - 216"	8.00"	8.00"	N/A	23.70"
27-80 - 6"	2x2½", 1x4"/4½"	49" - 247"	18" - 216"	8.00"	8.00"	9.00"	22.80"
27-80 - 8"	2x2½", 1x4"/4½"	49" - 247"	18" - 216"	N/A	9.38"	N/A	N/A

\* Buries greater than 216" available upon request.

