



**AMERICAN AVK WALL INDICATOR POST**  
**To UL 789 - to ULC CEX 1393 - To FM class number 1110**  
**Valve Sizes 4" - 12"**

**34/8X**  
**WALL INDICATOR POST**

**Use:**  
 Will fit any gate valve (4" - 12") with a 2" square wrench nut

**Optional Extras:**  
 Bolting Material      Option a): Stainless Steel - 304  
                                  Option b): Stainless Steel - 316  
 Stem Lengths          Refer to Detail "A"

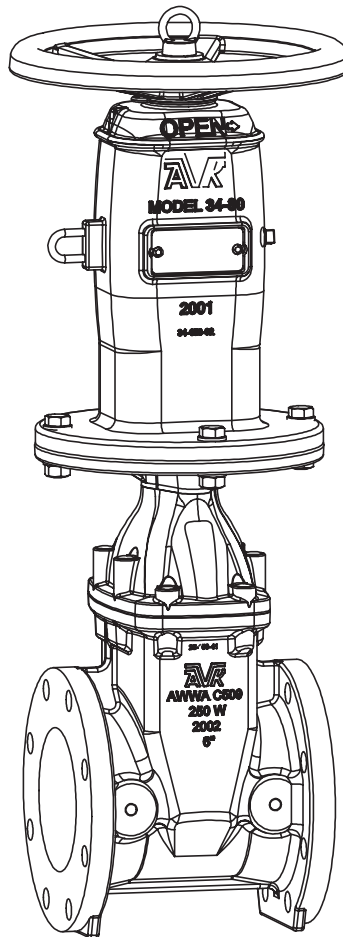
**Approvals:**

UL/ULC Listed,  
 FM Approved

**Standard Materials:**

Wrench Nut Adaptor, Handwheel, Post Indicator Bell, Indicator Head, Operating Wrench	Ductile iron ASTM A536
Bolts, Nuts, Washers	Zinc coated steel
Set Screw, Tension Pin, Circlip Ring	Stainless steel
Upper, Lower Stem, Upper, Lower Barrel	Cold drawn steel
Target, Operating Nut	Bronze
Target Sign	Aluminum (painted)
Window	Polycarbonate

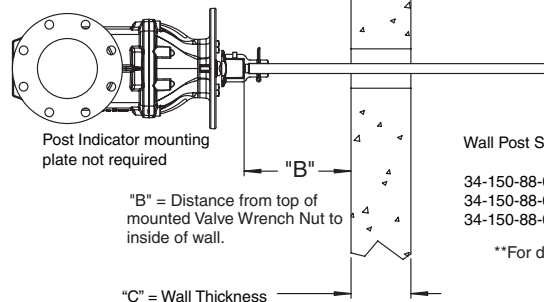


# AMERICAN AVK WALL INDICATOR POST

To UL 789 - to ULC CEX 1393 - To FM class number 1110  
Valve Sizes 4" - 12"

# 34/8X WALL INDICATOR POST

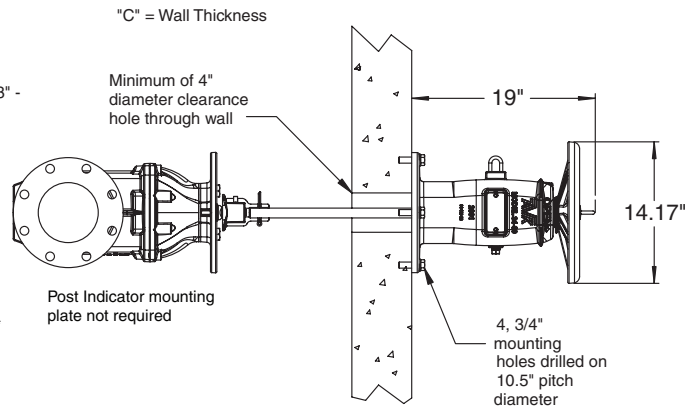
Combine A+B+C to determine which length of Wall Post Stem to order. The length of the Wall Post Stem must be equal to or greater than the sum of A+B+C. If greater than, trim the stem to fall between the dimensions in "Detail A."



Wall Post Stem Lengths

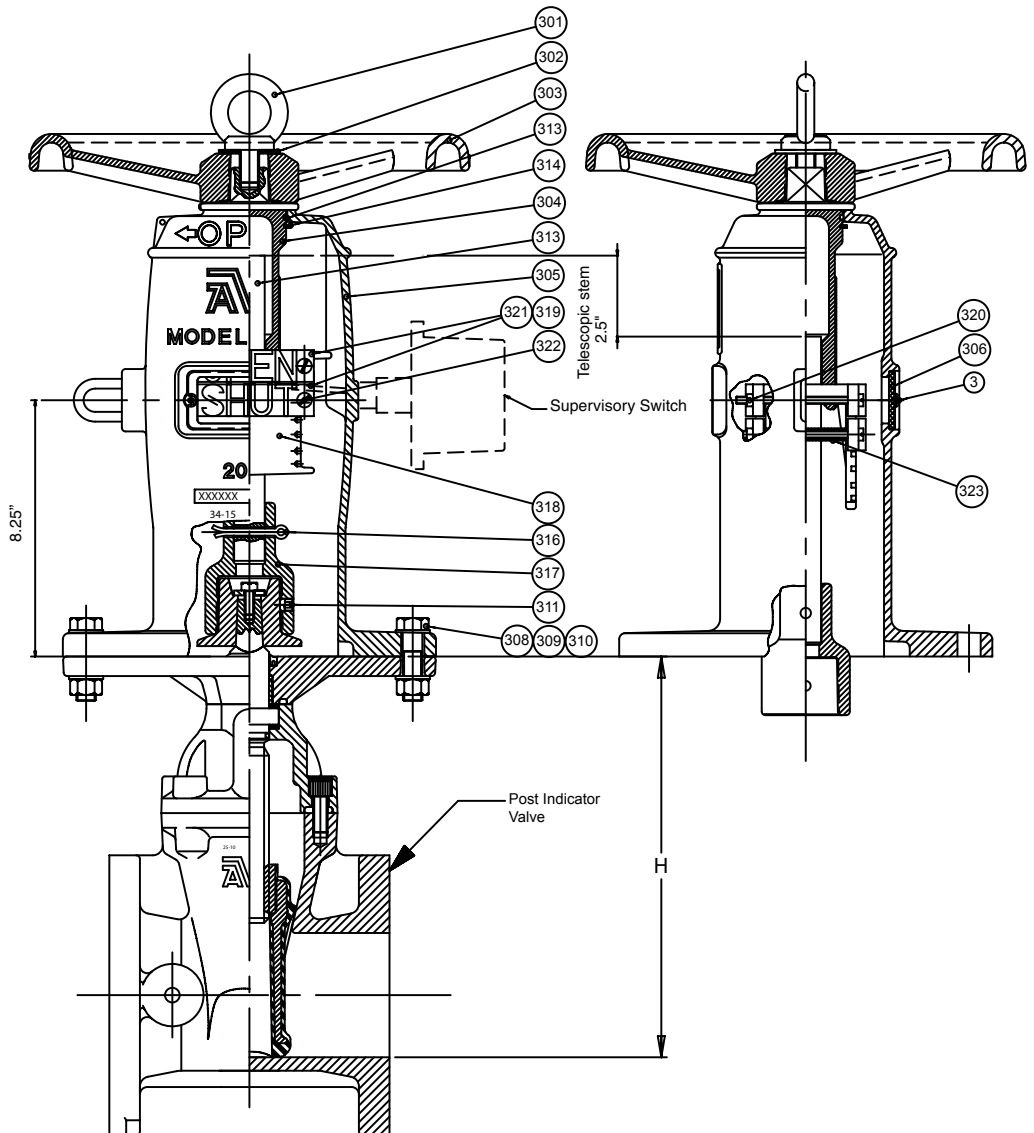
	Inch	MM
34-150-88-00	9.8	250 **
34-150-88-01	29.5	750
34-150-88-02	49.2	1250

\*\*For direct to valve mounting.



### Component List:

- 3. Window Screw
- 301. Eyebolt
- 302. Eye Bolt Washer M16x50x3
- 303. Handwheel
- 304. Stem Nut
- 305. Wall Post Head
- 306. Window
- 308. Flange Bolt
- 309. Flange Bolt Washer
- 310. Flange Bolt Nut
- 311. Wrench Nut Adapter Set Screw
- 313. Wall Post Stem
- 314. Stem Nut O-Ring
- 316. Cotter Pin
- 318. Target
- 319. Shut Plate
- 320. Plate Nut
- 321. Open Plate
- 322. Plate Attachment Screw
- 323. Target Spacer



Valve Size	"H": Bottom of Pipe to Top of Post Indicator Plate
4"	13"
6"	18"
8"	23"
10"	27"
12"	31"

