

AMERICAN AVK SWING CHECK VALVE, 250 PSI
Tested to AWWA C508 - Resilient Seated with Lever & Spring
Flanged Ends Drilled to ANSI B16.1 Class 125 - Valve Sizes 3" - 12"

41/47-48X
RSLT/LS

Use:

For potable water and sewage to maximum 160°F.

Tests:

Hydraulic test to AWWA C508:

Shell Test: 500 PSI

Seat Test: 250 PSI

Optional Extras:

Available with Lever and Weight, right-hand or left-hand mounted.

W/O Lever&Weight

Tapping boss, tapped and plugged.

Priming Device (3-inch through 8-inch)

Open Limit Reducer (10-inch & 12-inch)

Standard Materials:

Body, Bonnet, Lever Hinge (10"-12") Ductile iron, ASTM A536

Spring Bracket Carbon Steel

Spring Spring Steel

Coating Electrostatically applied fusion-bonded epoxy.
 Meets or exceeds AWWA C550

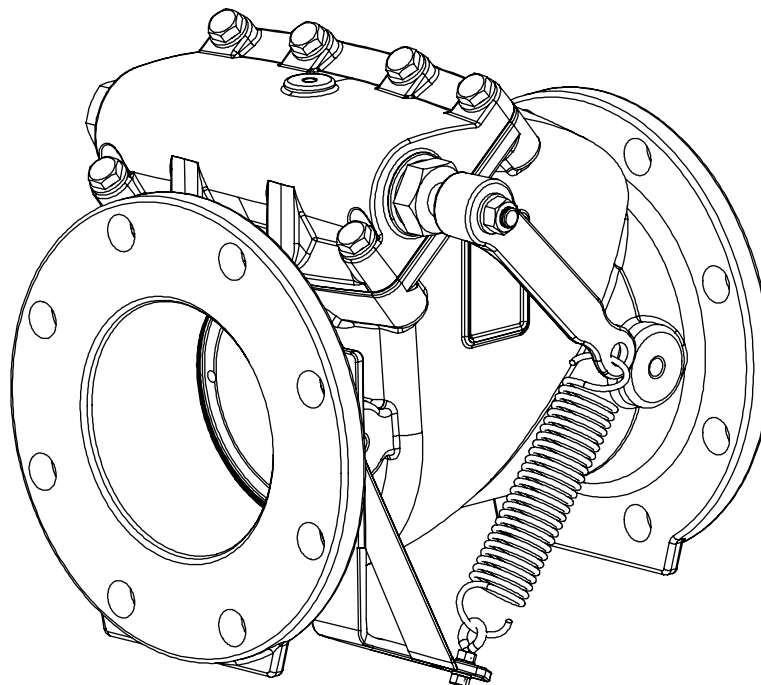
O-Rings, NBR
 Bonnet Gasket

Shaft, (Hinge 3"-8"), Stainless steel
 Bonnet Bolts,
 Washers, Keys,
 Spring Hardware (3"-8")

Spring Hardware Zinc Plated
 (10"-12")

Bushings Bronze

Resilient Seated EPDM rubber with a carbon
 Disc steel core



C508 clear waterway design. Laylength to ANSI B16.10



AMERICAN AVK SWING CHECK VALVE, 250 PSI
Tested to AWWA C508 - Resilient Seated with Lever & Spring
Flanged Ends Drilled to ANSI B16.1 Class 125 - Valve Sizes 3" - 12"

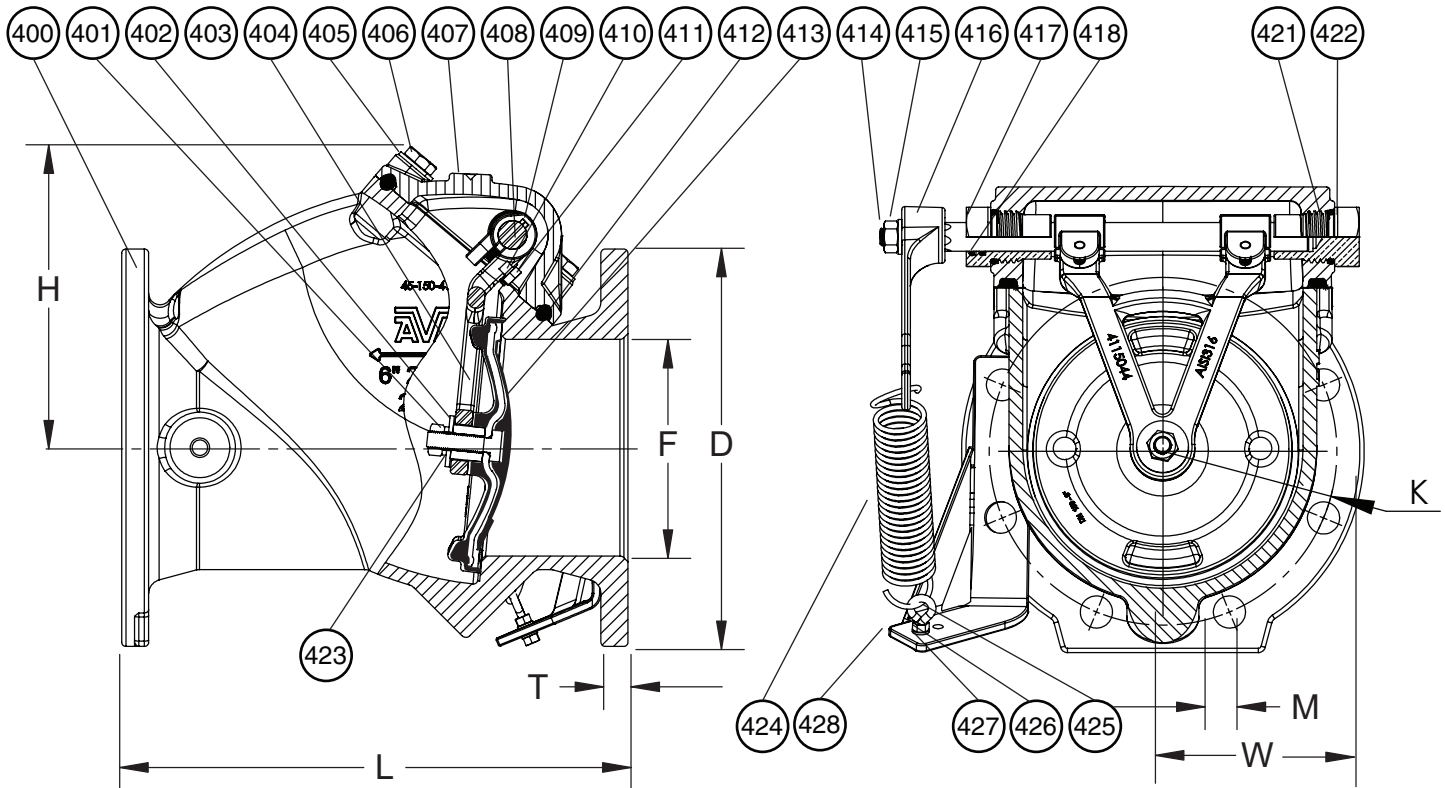
41/47-48X
RSLT/LS

Components

400. Body	408. Shaft	416. Lever	426. Spring Eyebolt	432. Shaft Spacers*
401. Disc Nut**	409. Key	417. Open Bushing	Nut	433. Spring Arm*
402. Disc Washer	410. Lock Washer	418. Inner Bushing O-ring	427. Spring Eyebolt	Washer*
403. Disc Bushing	411. Hinge Bolt	421. Outer Bushing	Washer	434. Spring Arm Nut*
404. Hinge	412. Bonnet Gasket	O-ring	428. Spring Bracket	435. Spring Arm Rod*
405. Bonnet Washer	413. Disc	423. Disc Lock Washer**	429. Bonnet O-ring*	436. Spring Bracket
406. Bonnet Bolt	414. Shaft Nut	424. Spring	430. Hinge Connector*	Mount Bolt*
407. Bonnet	415. Shaft Washer	425. Spring Eyebolt	431. Retaining Washers*	437. Spring Arm Spacer*

* 10" and 12" Valves (not shown)

** As of March 1st, 2008 on 3" through 8" valves, the Disc Lock Washer (423), and Disc Nut (401), are replaced by a new self locking Disc Nut (401).



Ref No.	Size	D	F	H	K	L	M	T	W	Flange Holes	Weight (lbs.)
41-080-47-48X	3"	7.50"	3.00"	5.50"	6.00"	9.50"	0.75"	0.75"	3.76"	4	35
41-100-47-48X	4"	9.00"	4.00"	6.00"	7.50"	11.50"	0.75"	0.75"	4.50"	8	51
41-150-47-48X	6"	11.00"	6.00"	7.75"	9.50"	14.00"	0.88"	0.75"	5.50"	8	86
41-200-47-48X	8"	13.50"	8.00"	9.00"	11.75"	19.50"	0.88"	0.80"	6.75"	8	165
41-250-47-48X	10"	16.00"	10.00"	13.50"	14.25"	24.50"	1.00"	1.20"	8.01"	12	450
41-300-47-48X	12"	19.00"	12.00"	15.37"	17.00"	27.50"	1.00"	1.26"	9.50"	12	590

48 = Lever & Spring Right Side

47 = Lever & Spring Left Side

