

AMERICAN AVK SWING CHECK VALVE, 250 PSI
Tested to AWWA C508 - Bronze Seated with Lever & Spring
Flanged Ends Drilled to ANSI B16.1 Class 125 - Valve Sizes 3" - 8"

41/50-58X
BRNZ/LS

Use:

For potable water and sewage to maximum 160°F.

Tests:

Hydraulic test to AWWA C508:

Shell Test: 500 PSI

Seat Test: 250 PSI

Optional Extras:

Available with Lever and Weight, right-hand or left-hand mounted.

W/O Lever&Weight

Tapping boss, tapped and plugged.

Priming Device

Standard Materials:

Body, Bonnet, Lever, Hinge (10"-12") Ductile iron, ASTM A536

Spring Bracket Carbon Steel

Spring Spring Steel

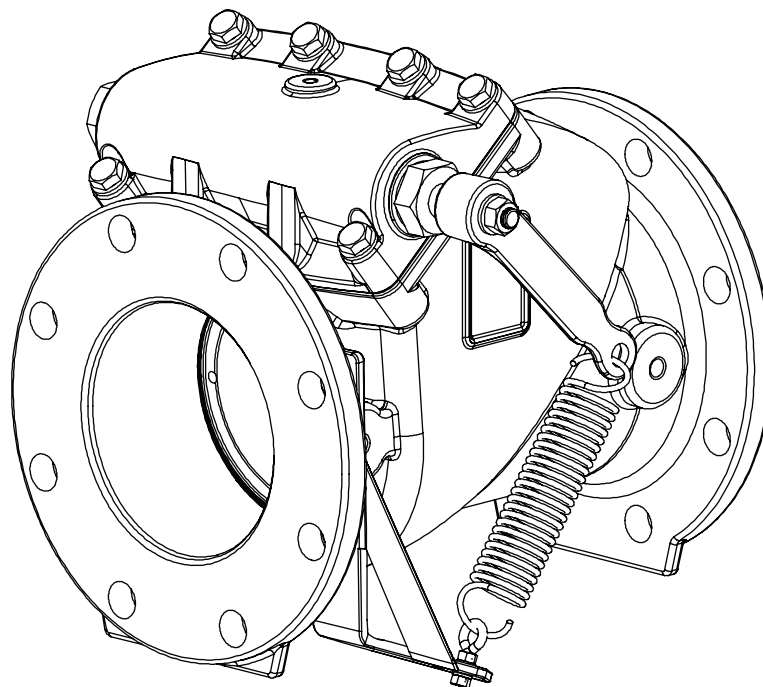
Coating Electrostatically applied fusion-bonded epoxy.
 Meets or exceeds AWWA C550

O-Rings, Bonnet Gasket NBR

Shaft, Hinge, Bonnet Bolts, Washers, Keys, Spring Hardware Stainless steel

Bushings, Body Seat, Bronze
 Disc Seal

Resilient Seated Disc EPDM rubber with a carbon steel core and Bronze seat.



C508 clear waterway design. Laylength to ANSI B16.10



AMERICAN AVK SWING CHECK VALVE, 250 PSI
Tested to AWWA C508 - Bronze Seated with Lever & Spring
Flanged Ends Drilled to ANSI B16.1 Class 125 - Valve Sizes 3" - 8"

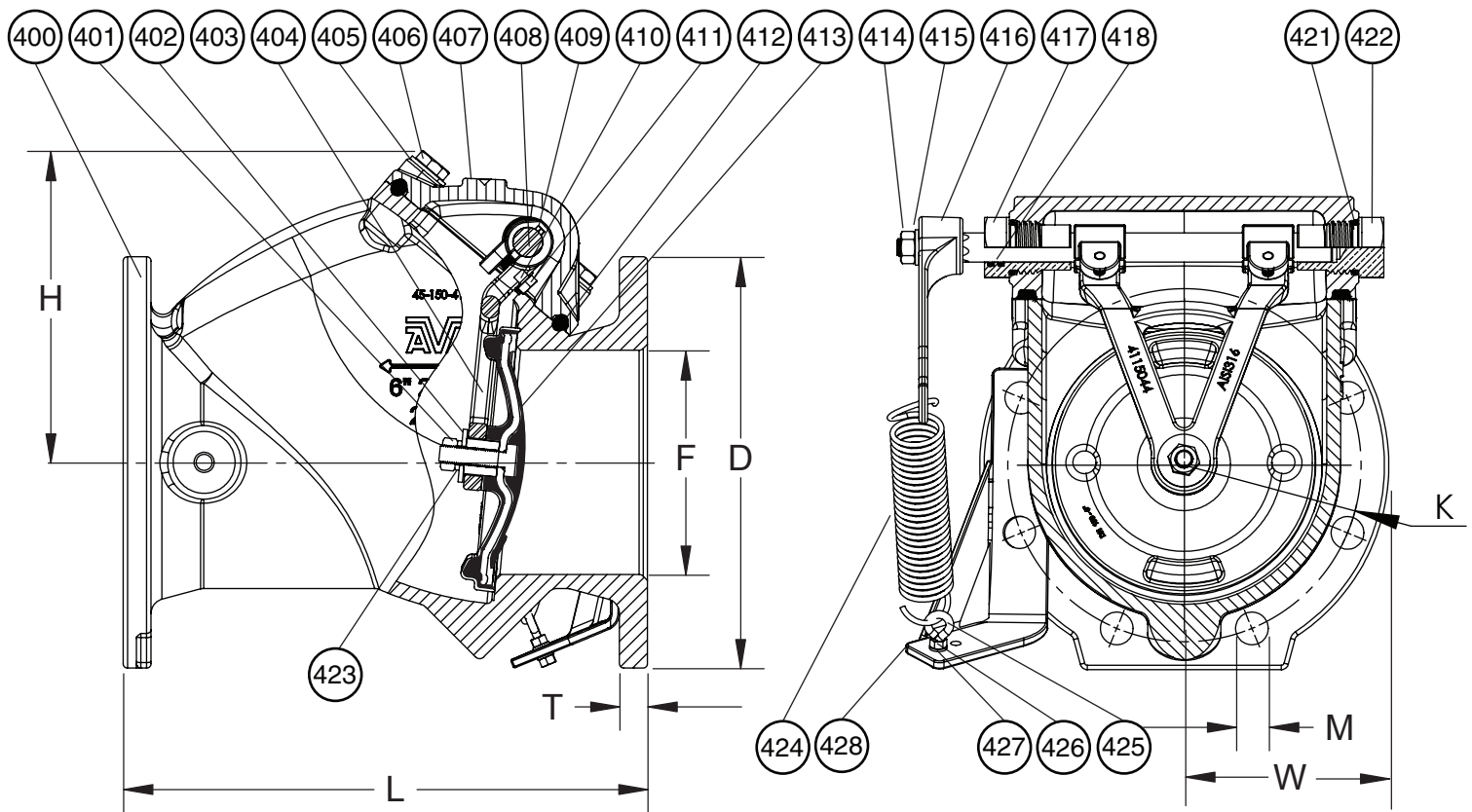
41/50-58X
BRNZ/LS

Components

400. Body	408. Shaft	416. Lever	426. Spring Eyebolt	432. Shaft Spacers*
401. Disc Nut**	409. Key	417. Open Bushing	Nut	433. Spring Arm*
402. Disc Washer	410. Lock Washer	418. Inner Bushing O-ring	427. Spring Eyebolt	Washer*
403. Disc Bushing	411. Hinge Bolt	421. Outer Bushing	Washer	434. Spring Arm Nut*
404. Hinge	412. Bonnet Gasket	O-ring	428. Spring Bracket	435. Spring Arm Rod*
405. Bonnet Washer	413. Disc	423. Disc Lock Washer**	429. Bonnet O-ring*	436. Spring Bracket
406. Bonnet Bolt	414. Shaft Nut	424. Spring	430. Hinge Connector*	Mount Bolt*
407. Bonnet	415. Shaft Washer	425. Spring Eyebolt	431. Retaining Washers*	437. Spring Arm Spacer*

* 10" and 12" Valves

** As of March 1st, 2008 on 3" through 8" valves, the Disc Lock Washer (423), and Disc Nut (401), are replaced by a new self locking Disc Nut (401).



Ref No.	Size	D	F	H	K	L	M	T	W	Flange Holes	Weight (lbs.)
41-080-56-57X	3"	7.50"	3.00"	5.50"	6.00"	9.50"	0.75"	0.75"	3.76"	4	35
41-100-56-57X	4"	9.00"	4.00"	6.00"	7.50"	11.50"	0.75"	0.75"	4.50"	8	51
41-150-56-57X	6"	11.00"	6.00"	7.75"	9.50"	14.00"	0.88"	0.75"	5.50"	8	86
41-200-56-57X	8"	13.50"	8.00"	9.00"	11.75"	19.50"	0.88"	0.80"	6.75"	8	165

58 = Lever & Spring Right Side

50 = Lever & Spring Left Side

