

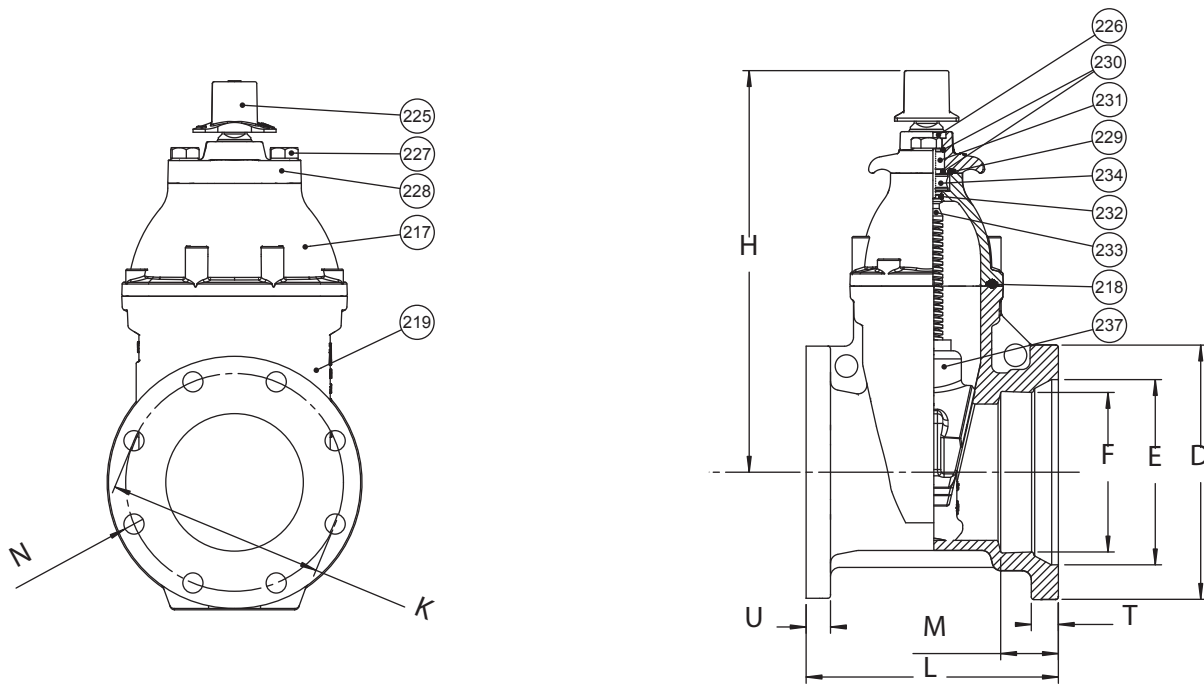


**AMERICAN AVK RESILIENT SEATED DUCTILE IRON GATE VALVE**  
**250 PSI, Tested to AWWA C509 / C515 (NRS)**  
**Mechanical Joint by Flanged Ends to ANSI B16.1, Class 125 - Valve Sizes 3" - 16"**

**45/3X**  
**MJxFL**

**Component List:**

|                    |                              |                             |
|--------------------|------------------------------|-----------------------------|
| 217. Bonnet        | 227. Gland Flange Bolt       | 232. Lower Stem Seal O-Ring |
| 218. Bonnet Gasket | 228. Gland Flange            | 233. NRS Stem               |
| 219. Body          | 229. Gland O-Ring            | 234. Thrust Collar          |
| 225. Wrench Nut    | 230. Upper Stem Seal O-Rings | 237. Wedge                  |
| 226. Wiper Ring    | 231. Stem Seal Bushing       |                             |



| Ref No.   | Size | D      | E      | F      | K      | H      | L      | M    | N     | T     | U     | Flange Holes | Turns to Open | Weight (lbs.) |
|-----------|------|--------|--------|--------|--------|--------|--------|------|-------|-------|-------|--------------|---------------|---------------|
| 45-080-3X | 3"   | 7.69"  | 4.96"  | 4.08"  | 6.00"  | 12.09" | 9.0"   | 2.50 | 0.75" | 1.00" | 0.88" | 4            | 12            | 43            |
| 45-100-3X | 4"   | 9.12"  | 6.02"  | 4.90"  | 7.50"  | 13.50" | 9.0"   | 2.50 | 0.75" | 1.00" | 1.00" | 8            | 14            | 62            |
| 45-150-3X | 6"   | 11.12" | 8.12"  | 7.00"  | 9.50"  | 17.30" | 10.50" | 2.50 | 0.88" | 1.18" | 1.06" | 8            | 21            | 103           |
| 45-200-3X | 8"   | 13.37" | 10.27" | 9.15"  | 11.75" | 21.50" | 11.50" | 2.50 | 0.88" | 1.24" | 1.14" | 8            | 26            | 155           |
| 45-250-3X | 10"  | 15.69" | 12.34" | 11.20" | 14.25" | 24.75" | 13.00" | 2.50 | 1.00" | 1.14" | 1.22" | 12           | 32            | 240           |
| 45-300-3X | 12"  | 17.88" | 14.44" | 13.30" | 17.00" | 27.63" | 14.00" | 2.50 | 1.00" | 1.22" | 1.30" | 12           | 38            | 337           |
| 45-350-3X | 14"  | 20.31" | 16.61" | 15.50" | 18.75" | 35.75" | 17.50" | 3.50 | 1.13" | 1.32" | 1.40" | 12           | 51            | 840           |
| 45-400-3X | 16"  | 22.56" | 18.64" | 16.12" | 21.25" | 34.75" | 17.00" | 3.50 | 1.13" | 1.34" | 1.44" | 16           | 51            | 820           |

