

AMERICAN AVK RESILIENT SEATED DUCTILE IRON GATE VALVE
250 PSI, Tested to AWWA C509 / C515 (NRS)
Flanged x Flanged Ends - Drilled to ANSI B16.1 Class 250 - Valve Sizes 4" - 12"

45/4X
FLxFL

Use:

For water and neutral liquids to maximum 160°F.

Tests:

Hydraulic test to AWWA C509:

Shell Test: 500 PSI

Seat Test: 250 PSI

Operating Torque Test

Optional Materials:

Stem	Option a): For UL, FM, ULC Low zinc bronze ASTM B763
Anti Friction Washers	Polyamide
Bonnet Bolts	Option a): For UL, FM, ULC ASTM A164 zinc coated steel sealed with hot melt Option b): Stainless Steel - 316 sealed with hot melt
Gland Bolts	Option a): For UL, FM, ULC ASTM A164 zinc coated steel Hexagon bolt Option b): Stainless Steel - 316 Hexagon bolt

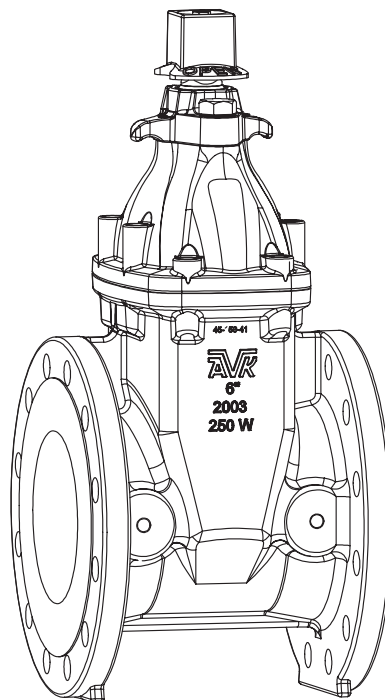
Standard Materials:

Body, Bonnet, Gland Flange, Wrench Nut	Ductile iron ASTM A536 (Wrench Nut-painted black for open left, red for open right)
Coating	Electrostatically applied fusion- bonded epoxy-resin Meets or exceeds AWWA C550
Stem	Standard: Stainless steel ASTM A582
Wedge	Ductile iron ASTM A536 encapsulated with EPDM-rubber compound
Wedge Nut, Thrust Collar Bonnet Bolts	Bronze Stainless Steel - 304 sealed with hot melt
Gland Bolts	Stainless Steel - 304 Hexagon bolt
Bonnet Gasket, Wiper Ring, O-Ring Stem Seals, O-Ring Gland Seal	ASTM D2000 Buna "N" nitrile rubber

Approvals:



*UL/ULC Listed,
 *FM Approved
 NSF-61 (audited by UL)
 * Approved at 250 PSI working pressure



American AVK Company
 an ISO 9001-2000 registered company

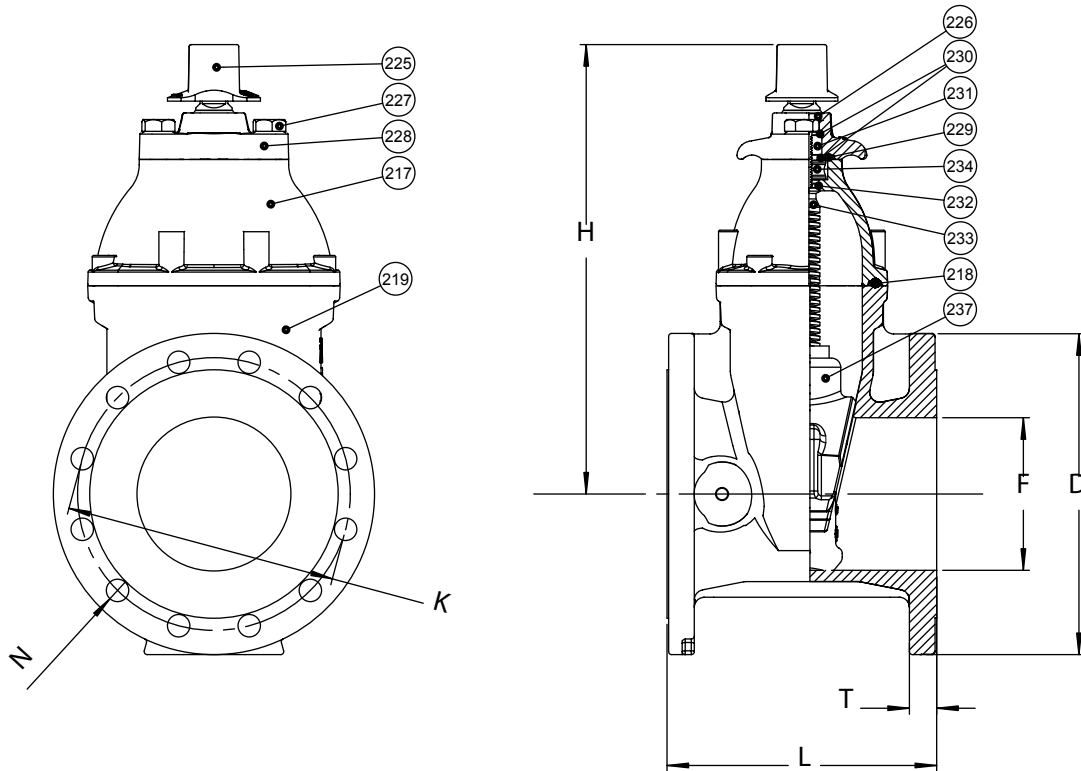
DS S454X FLFL
 Subject to change without notice. (rev. 08/07)

AMERICAN AVK RESILIENT SEATED DUCTILE IRON GATE VALVE
250 PSI, Tested to AWWA C509 / C515 (NRS)
Flanged x Flanged Ends - Drilled to ANSI B16.1 Class 250 - Valve Sizes 4" - 12"

45/4X
FLxFL

Component List:

- | | | |
|--------------------|------------------------------|-----------------------------|
| 217. Bonnet | 227. Gland Flange Bolt | 232. Lower Stem Seal O-Ring |
| 218. Bonnet Gasket | 228. Gland Flange | 233. NRS Stem |
| 219. Body | 229. Gland O-Ring | 234. Thrust Collar |
| 225. Wrench Nut | 230. Upper Stem Seal O-Rings | 237. Wedge |
| 226. Wiper Ring | 231. Stem Seal Bushing | |



RefNo.	Size	D	F	H	K	L	N	T	Flange Holes	Turns to Open	Wieght Lbs.
45-100-4X	4"	10.00"	4.00"	13.50"	7.87"	9.00"	0.88"	1.00"	8	14	69
45-150-4X	6"	12.50"	6.00"	17.50"	10.63"	10.50"	0.88"	1.00"	12	21	104
45-200-4X	8"	15.00"	8.00"	21.50"	13.00"	11.50"	1.00"	1.14"	12	26	166
45-250-4X	10"	17.50"	10.00"	24.75"	15.25"	13.00"	1.12"	1.16"	16	32	283
45-300-4X	12"	20.50"	12.00"	27.75"	17.75"	14.00"	1.25"	1.24"	16	38	421

