

AMERICAN AVK RESILIENT SEATED DUCTILE IRON GATE VALVE
Tested to AWWA C509 / C515 (NRS) for Indicator Post
Flanged Ends to ANSI B16.1 Class 125 - Valve sizes 4" - 16"

45/50X
FLxFL PIV

Use:

For water and neutral liquids to maximum 160°F.

Tests:

Hydraulic test to AWWA C509:

Shell Test: 500 PSI 4"-12", 400 PSI 14"-16"

Seat Test: 250 PSI 4"-12", 200 PSI 14"-16"

Operating Torque Test

Optional Materials:

| | |
|--------------|---|
| Stem | 4"-12" only Stainless steel AISI 430F Stainless steel AISI 304 Stainless steel AISI 316 |
| Bonnet Bolts | 4"-12" only Stainless steel AISI 304, Stainless steel AISI 316, Zinc Plated steel sealed with hot melt |
| Gland Bolts | 4"-12" only Stainless steel AISI 316, Zinc Plated steel |

Standard Materials:

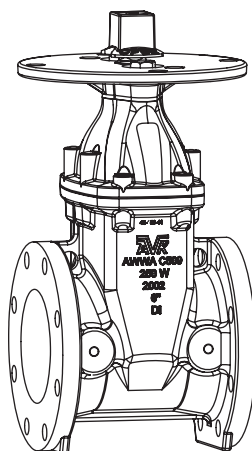
| | |
|--|--|
| Body, Bonnet, Post Indicator Plate, Wrench Nut | Ductile iron ASTM A536 (Wrench Nut-painted black for open left, red for open right) |
| Coating | Electrostatically applied fusion- bonded epoxy-resin Meets or exceeds AWWA C550 |
| Stem | 4"-12" Standard: Low Zinc Bronze ASTM B763 14"-16" Standard: Aluminum Bronze ASTM B150 |
| Anti Friction Washers | Polyamide |
| Wedge | Ductile iron ASTM A536 encapsulated with EPDM-rubber compound |
| Wedge Nut, Thrust Collar | Bronze |
| Bonnet Bolts | 4" - 8" Stainless Steel - 304 sealed with hot melt 10"-16" High strength bolts sealed with hot melt |
| Gland Bolts | Stainless Steel - 304 Hexagon bolt |
| Bonnet Gasket, Wiper Ring, O-Ring Stem Seals, O-Ring Gland Seal | ASTM D2000 Buna "N" nitrile rubber |

Approvals:



*UL/ULC Listed
 *FM Approved
 NSF-61 (audited by UL)

* Approved at 250 PSI working pressure, 4"-12"
 * Approved at 200 PSI working pressure, 14"-16"



American AVK Company
 an ISO 9001 registered company

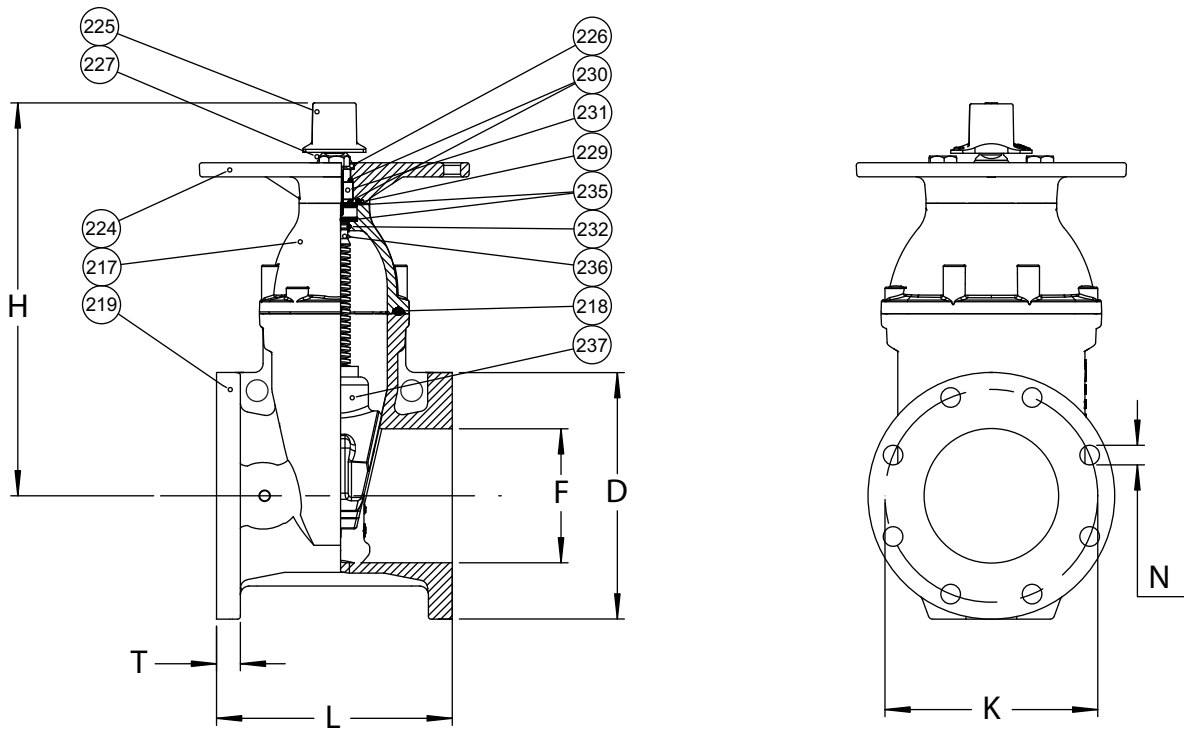
DS S4550X FLFL PIV
 Subject to change without notice. (rev. 08/11)

AMERICAN AVK RESILIENT SEATED DUCTILE IRON GATE VALVE
Tested to AWWA C509 / C515 (NRS) for Indicator Post
Flanged Ends to ANSI B16.1 Class 125 - Valve sizes 4" - 16"

45/50X
FLxFL PIV

Component List:

- | | | |
|---------------------------|------------------------------|-----------------------------|
| 217. Bonnet | 226. Wiper Ring | 232. Lower Stem Seal O-Ring |
| 218. Bonnet Gasket | 227. Gland Flange Bolt | 235. Anti-Friction Washer |
| 219. Body | 229. Gland O-Ring | 236. Low Zinc NRS Stem |
| 224. Post Indicator Plate | 230. Upper Stem Seal O-Rings | 237. Wedge |
| 225. Wrench Nut | 231. Stem Seal Bushing | |



| Ref No. | Size | D | F | H | K | L | N | T | Flange Holes | Turns to Open | Weight (lbs.) |
|------------|------|--------|--------|--------|--------|--------|-------|-------|--------------|---------------|---------------|
| 45-100-50X | 4" | 9.00" | 4.00" | 13.50" | 7.50" | 9.00" | 0.75" | 1.00" | 8 | 14 | 78 |
| 45-150-50X | 6" | 11.00" | 6.00" | 17.50" | 9.50" | 10.50" | 0.88" | 1.06" | 8 | 21 | 112 |
| 45-200-50X | 8" | 13.50" | 8.00" | 21.50" | 11.75" | 11.50" | 0.88" | 1.14" | 8 | 26 | 169 |
| 45-250-50X | 10" | 16.00" | 10.00" | 24.75" | 14.25" | 13.00" | 1.00" | 1.22" | 12 | 32 | 284 |
| 45-300-50X | 12" | 19.00" | 12.00" | 27.63" | 17.00" | 14.00" | 1.00" | 1.30" | 12 | 38 | 424 |
| 45-350-50X | 14" | 20.98" | 14.00" | 35.75" | 18.75" | 15.00" | 1.13" | 1.40" | 12 | 51 | 635 |
| 45-400-50X | 16" | 23.50" | 16.00" | 34.74" | 21.25" | 16.00" | 1.13" | 1.44" | 16 | 51 | 805 |

