

AMERICAN AVK RESILIENT SEATED DUCTILE IRON GATE VALVE
250 PSI, Tested to AWWA C509 / C515 (NRS)
Flanged Ends to ANSI B16.1 Class 125 - Valve sizes 2.5" - 16"

45/5X
FLxFL

Use:

For water and neutral liquids to maximum 160°F.

Tests:

Hydraulic test to AWWA C509:

Shell Test: 500 PSI

Seat Test: 250 PSI

Operating Torque Test

Optional Materials:

Stem Option a): For UL, FM, ULC
 Low zinc bronze
 ASTM B763

Anti Friction Washers Polyamide

Bonnet Bolts Option a): For UL, FM, ULC
 ASTM A164 zinc coated
 steel sealed with hot melt

Option b): Stainless Steel - 316
 sealed with hot melt

Gland Bolts Option a): For UL, FM, ULC
 ASTM A164 zinc coated
 steel Hexagon bolt

Option b): Stainless Steel - 316
 Hexagon bolt

Standard Materials:

Body, Bonnet, Gland Flange, Wrench Nut	Ductile iron ASTM A536 (Wrench Nut-painted black for open left, red for open right)
Coating	Electrostatically applied fusion- bonded epoxy-resin Meets or exceeds AWWA C550
Stem	Standard: Stainless steel ASTM A582
Wedge	Ductile iron ASTM A536 encapsulated with EPDM-rubber compound
Wedge Nut, Thrust Collar	Bronze
Bonnet Bolts	Stainless Steel - 304 sealed with hot melt
Gland Bolts	Stainless Steel - 304 Hexagon bolt
Bonnet Gasket, Wiper Ring, O-Ring Stem Seals, O-Ring Gland Seal	ASTM D2000 Buna "N" nitrile rubber

Approvals:

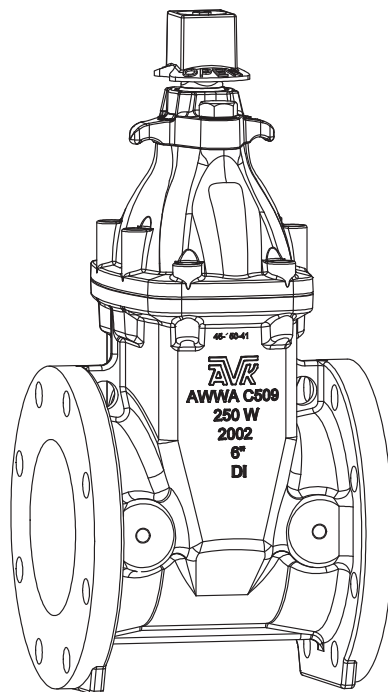


*UL/ULC Listed, 2.5" -12"

*FM Approved, 2.5"-12"

NSF-61 (audited by UL), 2.5"- 16"

* Approved at 250 PSI working pressure



American AVK Company
 an ISO 9001-2000 registered company

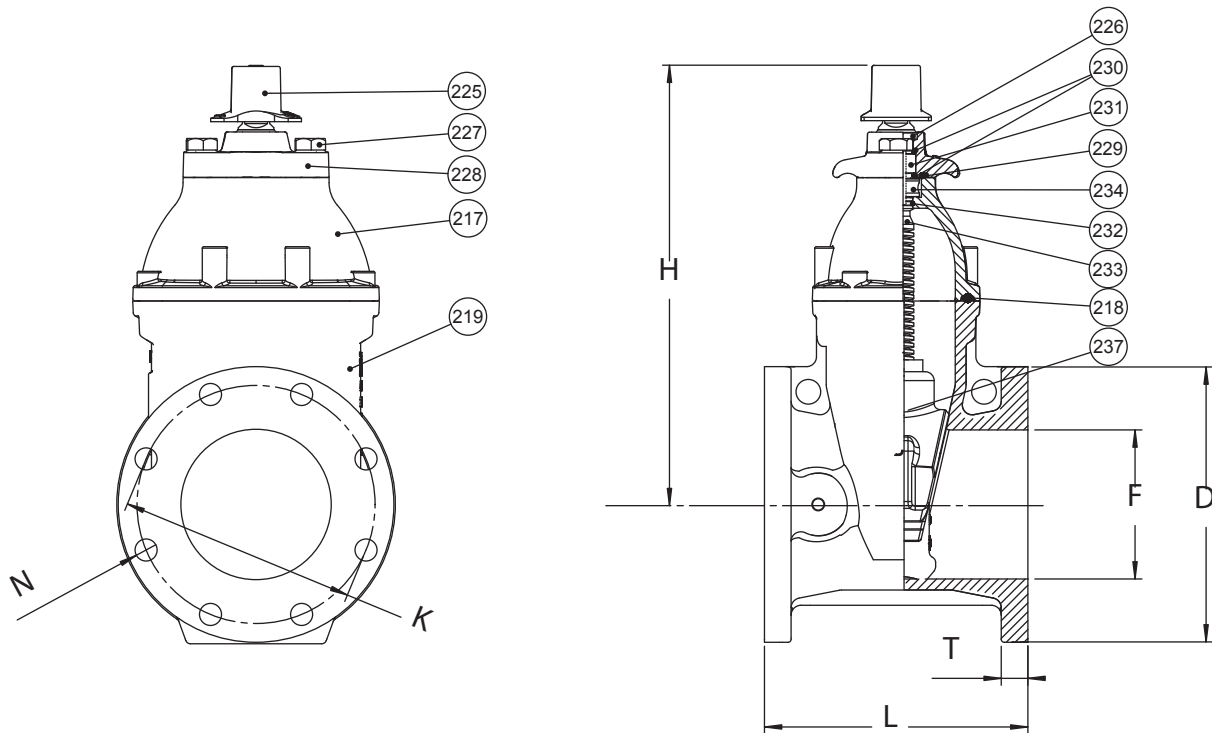
DS S455X FLFL
 Subject to change without notice. (rev. 03/08)

AMERICAN AVK RESILIENT SEATED DUCTILE IRON GATE VALVE
250 PSI, Tested to AWWA C509 / C515 (NRS)
Flanged Ends to ANSI B 16.1 Class 125 - Valve sizes 2.5" - 16"

45/5X
FLxFL

Component List:

- | | | |
|--------------------|------------------------------|-----------------------------|
| 217. Bonnet | 227. Gland Flange Bolt | 232. Lower Stem Seal O-Ring |
| 218. Bonnet Gasket | 228. Gland Flange | 233. NRS Stem |
| 219. Body | 229. Gland O-Ring | 234. Thrust Collar |
| 225. Wrench Nut | 230. Upper Stem Seal O-Rings | 237. Wedge |
| 226. Wiper Ring | 231. Stem Seal Bushing | |



Ref No.	Size	D	F	H	K	L	N	T	Flange Holes	Turns to Open	Weight (lbs.)
45-065-5X	2.5"	7.00"	2.50"	12.09"	5.50"	7.50"	0.75"	0.71"	4	12	38
45-080-5X	3"	7.50"	3.00"	12.09"	6.00"	8.00"	0.75"	0.79"	4	12	42
45-100-5X	4"	9.00"	4.00"	13.50"	7.50"	9.00"	0.75"	1.00"	8	14	63
45-150-5X	6"	11.00"	6.00"	17.50"	9.50"	10.50"	0.88"	1.06"	8	21	97
45-200-5X	8"	13.50"	8.00"	21.50"	11.75"	11.50"	0.88"	1.14"	8	26	154
45-250-5X	10"	16.00"	10.00"	24.75"	14.25"	13.00"	1.00"	1.22"	12	32	269
45-300-5X	12"	19.00"	12.00"	27.63"	17.00"	14.00"	1.00"	1.30"	12	38	409
45-350-5X	14"	20.98"	14.00"	35.75"	18.75"	15.00"	1.13"	1.18"	12	51	620
45-400-5X	16"	23.50"	16.00"	34.74"	21.25"	16.00"	1.13"	1.44"	16	51	790

