

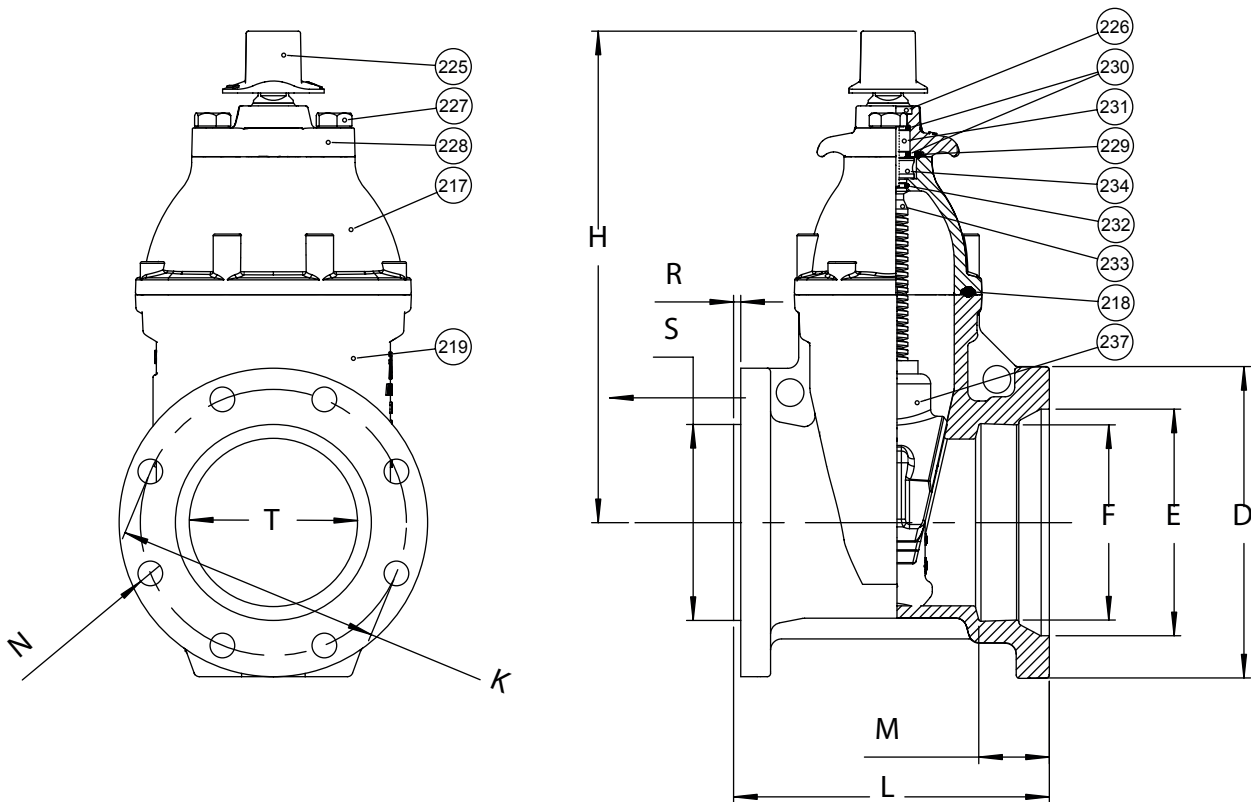


**AMERICAN AVK RESILIENT SEATED DUCTILE IRON GATE VALVE**  
**250 PSI, Tested to AWWA C509 / C515 (NRS)**  
 Tapping Sleeve Flanged End x Mechanical Joint - Valve sizes 4" - 12"

**45/6X**  
**MJxTAP**

**Component List:**

- |                    |                              |                             |
|--------------------|------------------------------|-----------------------------|
| 217. Bonnet        | 227. Gland Flange Bolt       | 232. Lower Stem Seal O-Ring |
| 218. Bonnet Gasket | 228. Gland Flange            | 233. NRS Stem               |
| 219. Body          | 229. Gland O-Ring            | 234. Thrust Collar          |
| 225. Wrench Nut    | 230. Upper Stem Seal O-Rings | 237. Wedge                  |
| 226. Wiper Ring    | 231. Stem Seal Bushing       |                             |



Ref. nos.	Size	D	E	F	H	K	L	M	N	R	S	T	Flange Holes	Turns to open	Wt. Lbs.
45-100-6X	4"	9.12"	6.06"	4.90"	13.50"	7.50"	9.50"	2.50"	0.75"	0.20"	4.98"	4.25"	8	14	71
45-150-6X	6"	11.12"	8.16"	7.00"	17.50"	9.50"	11.00"	2.50"	0.88"	0.26"	6.99"	6.25"	8	21	117
45-200-6X	8"	13.37"	10.31"	9.15"	21.50"	11.75"	12.75"	2.50"	0.88"	0.26"	8.98"	8.25"	8	26	174
45-250-6X	10"	15.69"	12.37"	11.19"	24.75"	14.25"	13.40"	2.50"	1.00"	0.26"	10.98"	10.25"	12	32	265
45-300-6X	12"	17.87"	14.50"	13.30"	27.63"	17.00"	14.60"	2.50"	1.00"	0.26"	12.98"	12.25"	12	38	401

