

AMERICAN AVK RESILIENT SEATED DUCTILE IRON GATE VALVE

250 PSI, Tested to AWWA C509 (OS&Y)

- DI Grooved End according to AWWA C606 - Valve Sizes 3" - 8"

45/76X
DI GRxGR

Use:

For water and neutral liquids to maximum 160°F.

Tests:

Hydraulic test to AWWA C509:

Shell Test: 500 PSI

Seat Test: 250 PSI

Operating Torque Test

Optional Materials:

Bonnet Bolts, Stud Bolts
Washers, Nuts

Stainless Steel,
Grade 304

Standard Materials:

Body, Bonnet, Yoke, Gland Follower	Ductile iron ASTM A536
Handwheel	Cast iron ASTM A126 class B
Coating	Electrostatically applied fusion-bonded epoxy-resin Meets or exceeds AWWA C550
Stem, Anti-Friction Washer, Wedge Nut 2-piece Stem Nut	Bronze
Wedge	Ductile iron ASTM A536 encapsulated with EPDM - rubber compound.
Bonnet Bolts	4"-8": ASTM A 164 Zinc Plated Steel 10"-12": Grade 8 Steel
Stud Bolts, Washers, Nuts	Zinc Plated Steel
Bonnet Gasket, O-rings	NBR
Gland, Gland Bushing	Akulon

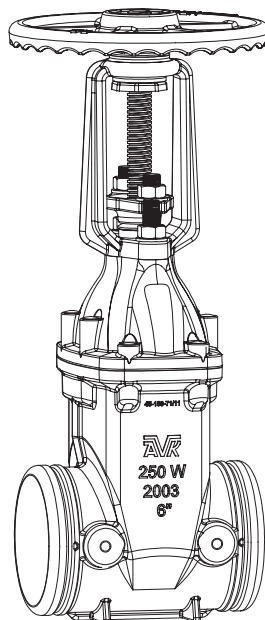
Approvals:



*UL/ULC Listed,

*FM Approved

* Approved at 250 PSI working pressure



American AVK Company
an ISO 9001-2000 registered company

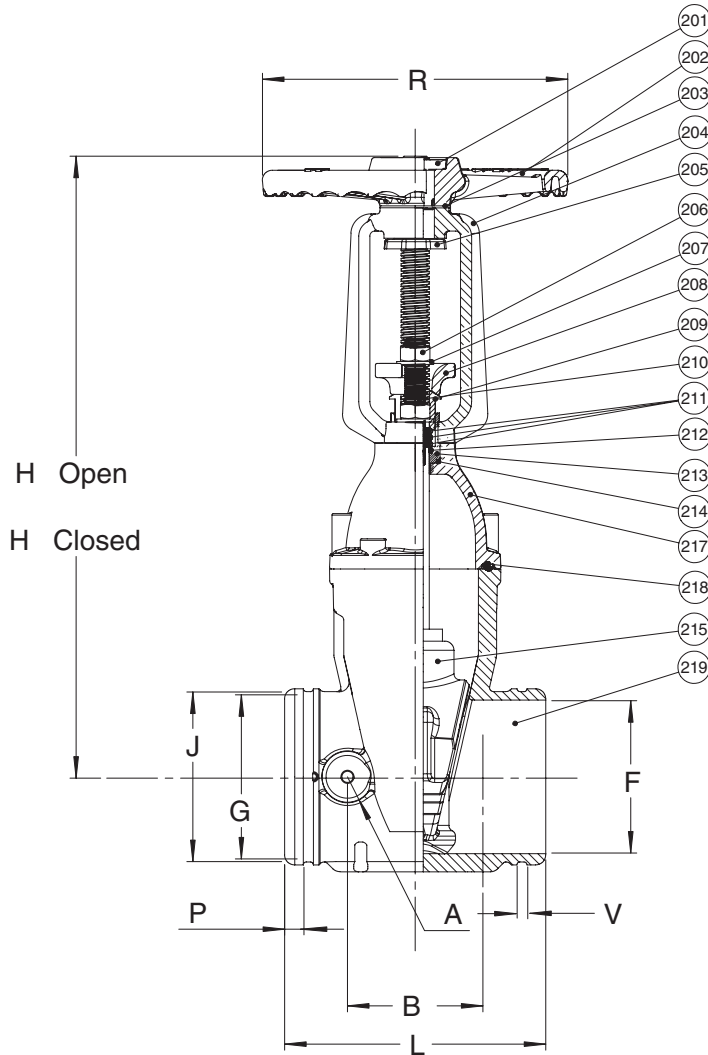
DS S4576X DI GRGR
Subject to change without notice. (rev. 07/09)

AMERICAN AVK RESILIENT SEATED DUCTILE IRON GATE VALVE
250 PSI, Tested to AWWA C509 (OS&Y)
- DI Grooved End according to AWWA C606 - Valve Sizes 3" - 8"

45/76X
DI GRxGR

Component List:

- | | | |
|------------------------------|---------------------------------|---------------------------|
| 201. Upper Stem Nut | 207. Gland Follower/Yoke Washer | 214. Outer Bushing O-Ring |
| 202. OS&Y Handwheel | 208. Gland Follower | 215. OS&Y Stem Assembly |
| 203. Anti-Friction Washer | 209. Gland | 217. Bonnet |
| 204. Yoke | 210. Stud Bolt | 218. Bonnet Gasket |
| 205. Lower Stem Nut | 211. Stem Seal O-Ring | 219. Body |
| 206. Gland Follower/Yoke Nut | 212. Inner Bushing O-Ring | |



Ref No.	Size	A	B	F	G	J	H		L	P	R	V	Turns to Weight	
							Open	Closed					Open	Lbs.
45-080-76X	3"	1.57"	3.74"	3.00"	3.71"	3.93"	16.90"	13.80"	8.00"	0.75"	7.08"	0.38"	20	40
45-100-76X	4"	1.65"	4.12"	4.00"	4.56"	4.80"	21.00"	16.90"	9.00"	0.75"	10.00"	0.38"	21	56
45-150-76X	6"	1.97"	5.29"	6.00"	6.65"	6.90"	29.30"	23.20"	10.50"	0.75"	12.00"	0.38"	26	103
45-200-76X	8"	1.97"	8.00"	8.00"	8.78"	9.05"	37.40"	29.30"	11.50"	0.87"	14.00"	0.50"	35	157

