

AMERICAN AVK RESILIENT SEATED DUCTILE IRON GATE VALVE
250 PSI, Tested to AWWA C509 (OS&Y)
- DI Grooved End according to AWWA C606 - Valve Sizes 3" - 8"

45/76X
DI GRxGR

Use:

For water and neutral liquids to maximum 160°F.

Tests:

Hydraulic test to AWWA C509:
 Shell Test: 500 PSI
 Seat Test: 250 PSI
 Operating Torque Test

Optional Materials:

| | |
|--------------------------|------------------|
| Bonnet Bolts, Stud Bolts | Stainless Steel, |
| Washers, Nuts | Grade 304 |

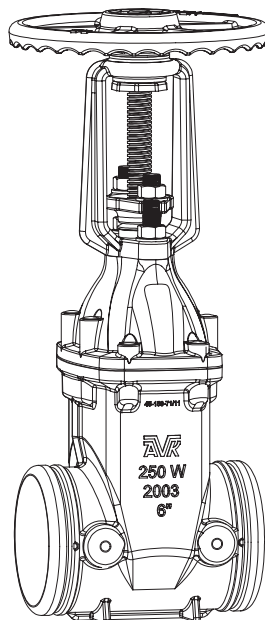
Standard Materials:

| | |
|--|---|
| Body, Bonnet, Yoke, Gland Follower | Ductile iron ASTM A536 |
| Handwheel | Cast iron ASTM A126 class B |
| Coating | Electrostatically applied fusion-bonded epoxy-resin Meets or exceeds AWWA C550 |
| Stem, Anti-Friction Washer, Wedge Nut 2-piece Stem Nut | Bronze |
| Wedge | Ductile iron ASTM A536 encapsulated with EPDM - rubber compound. |
| Bonnet Bolts | 4"-8": ASTM A 164 Zinc Plated Steel 10"-12": Grade 8 Steel |
| Stud Bolts, Washers, Nuts | Zinc Plated Steel |
| Bonnet Gasket, O-rings | NBR |
| Gland, Gland Bushing | Akulon |

Approvals:



*UL/ULC Listed,
 *FM Approved
 NSF-61 (audited by UL)
 * Approved at 250 PSI working pressure



American AVK Company
 an ISO 9001-2000 registered company

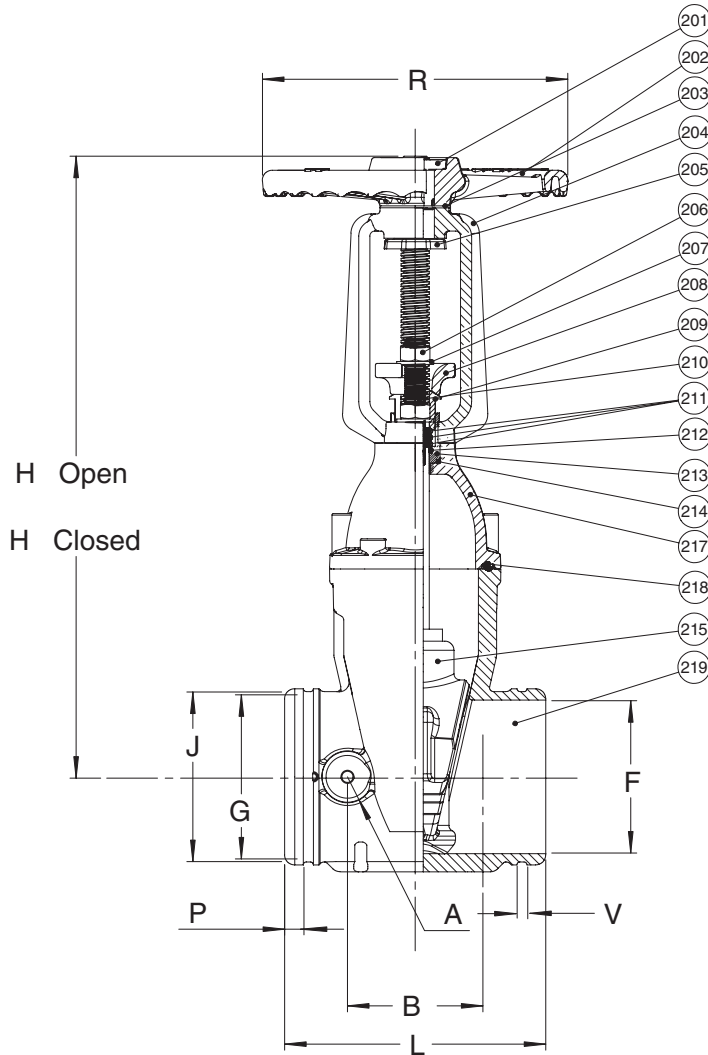
DS S4576X DI GRGR
 Subject to change without notice. (rev. 02/06)

AMERICAN AVK RESILIENT SEATED DUCTILE IRON GATE VALVE
250 PSI, Tested to AWWA C509 (OS&Y)
- DI Grooved End according to AWWA C606 - Valve Sizes 3" - 8"

45/76X
DI GRxGR

Component List:

| | | |
|------------------------------|---------------------------------|---------------------------|
| 201. Upper Stem Nut | 207. Gland Follower/Yoke Washer | 214. Outer Bushing O-Ring |
| 202. OS&Y Handwheel | 208. Gland Follower | 215. OS&Y Stem Assembly |
| 203. Anti-Friction Washer | 209. Gland | 217. Bonnet |
| 204. Yoke | 210. Stud Bolt | 218. Bonnet Gasket |
| 205. Lower Stem Nut | 211. Stem Seal O-Ring | 219. Body |
| 206. Gland Follower/Yoke Nut | 212. Inner Bushing O-Ring | |



| Ref No. | Size | A | B | F | G | J | H | | L | P | R | V | Turns to Weight | |
|------------|------|-------|-------|-------|-------|-------|--------|--------|--------|-------|--------|-------|-----------------|------|
| | | | | | | | Open | Closed | | | | | Open | Lbs. |
| 45-080-76X | 3" | 1.57" | 3.74" | 3.00" | 3.71" | 3.93" | 16.90" | 13.80" | 8.00" | 0.75" | 7.08" | 0.38" | 20 | 40 |
| 45-100-76X | 4" | 1.65" | 4.12" | 4.00" | 4.56" | 4.80" | 21.00" | 16.90" | 9.00" | 0.75" | 10.00" | 0.38" | 21 | 56 |
| 45-150-76X | 6" | 1.97" | 5.29" | 6.00" | 6.65" | 6.90" | 29.30" | 23.20" | 10.50" | 0.75" | 12.00" | 0.38" | 26 | 103 |
| 45-200-76X | 8" | 1.97" | 8.00" | 8.00" | 8.78" | 9.05" | 37.40" | 29.30" | 11.50" | 0.87" | 14.00" | 0.50" | 35 | 157 |

