

AMERICAN AVK RESILIENT SEATED DUCTILE IRON GATE VALVE
250 PSI, Tested to AWWA C509 (NRS)
- DI Grooved End according to AWWA C606 x Flanged - Valve Sizes 3" - 8"

45/8X
DI GRxFL

Use:

For water and neutral liquids to maximum 160°F.

Tests:

Hydraulic test to AWWA C509:

Shell Test: 500 PSI

Seat Test: 250 PSI

Operating Torque Test

Optional Materials:

Stem	Option a):	Stainless steel ASTM A582
Bonnet Bolts	Option a):	Stainless Steel - 304 sealed with hot melt
	Option b):	Stainless Steel - 316 sealed with hot melt
Gland Bolts	Option a):	Stainless Steel - 304 Hexagon bolt
	Option b):	Stainless Steel - 316 Hexagon bolt

Approvals:



*UL/ULC Listed,

*FM Approved

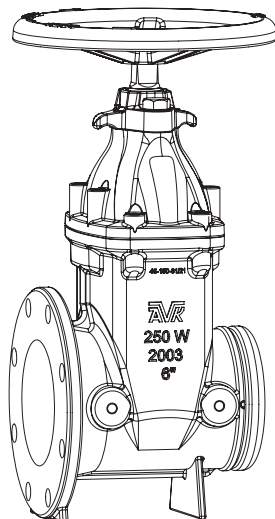
NSF-61 (audited by UL)

* Approved at 250 PSI working pressure

Standard Materials:

For UL, FM, ULC listings

Body, Gland Flange Wrench Nut	Ductile iron ASTM A536 (Wrench Nut)- painted black for open left, red for open right.
Bonnet, Handwheel	Cast iron ASTM A126 class B
Coating	Electrostatically applied fusion- bonded epoxy-resin . Meets or exceeds AWWA C550.
Stem	Standard: Low zinc bronze ASTM B763
Wedge	Ductile iron ASTM A536 encapsulated with EPDM-rubber compound
Thrust Collar, Wedge Nut	Bronze
Anti-Friction Washers	Polyamide
Bonnet Bolts	ASTM A164 zinc coated steel sealed with hot melt
Gland Bolts	ASTM A164 zinc coated steel
Bonnet Gasket, Wiper Ring, O-Ring Stem Seals	ASTM D2000 Buna "N" nitrile rubber



American AVK Company
 an ISO 9001-2000 registered company

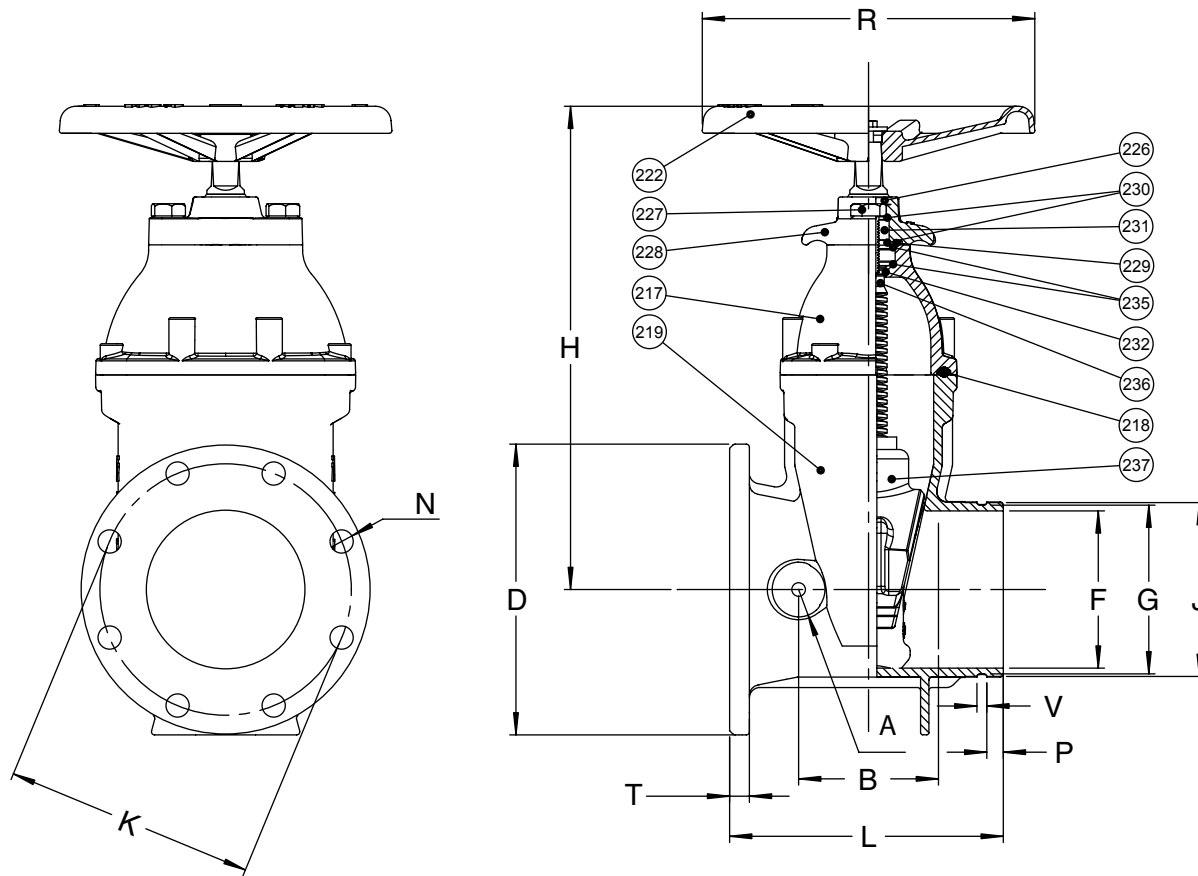
DS S458X DI GRFL
 Subject to change without notice. (rev. 02/06)

AMERICAN AVK RESILIENT SEATED DUCTILE IRON GATE VALVE
250 PSI, Tested to AWWA C509 (NRS)
- DI Grooved End according to AWWA C606 x Flanged - Valve Sizes 3" - 8"

45/8X
DI GRxFL

Component List:

- | | | |
|--------------------|------------------------------|-----------------------------|
| 217. Bonnet | 227. Gland Flange Bolt | 232. Lower Stem Seal O-Ring |
| 218. Bonnet Gasket | 228. Gland Flange | 233. NRS Stem |
| 219. Body | 229. Gland O-Ring | 234. Thurst Collar |
| 222. NRS Handwhel | 230. Upper Stem Seal O-Rings | 237. Wedge |
| 226. Wiper Ring | 231. Stem Seal Bushing | |



Ref No.	Size	A	B	D	F	G	H	J	K	L	N	P	R	T	V	Turns to Open	Weight Lbs.
45-080-8X	3"	1.57"	3.74"	7.50"	3.00"	3.72"	12.50"	3.96"	6.00"	8.00"	0.75"	0.75"	8.86"	0.75"	0.38"	13	35
45-100-8X	4"	1.65"	4.12"	9.00"	4.00"	4.56"	13.50"	4.80"	7.50"	9.00"	0.75"	0.75"	11.00"	0.75"	0.38"	14	55
45-150-8X	6"	1.97"	5.29"	11.00"	6.00"	6.65"	17.50"	6.90"	9.50"	10.50"	0.88"	0.75"	12.60"	0.75"	0.38"	21	87
45-200-8X	8"	1.97"	8.00"	13.50"	8.00"	8.78"	21.50"	9.05"	11.75"	11.50"	0.88"	0.87"	14.17"	0.79"	0.50"	26	133

