

AMERICAN AVK STAINLESS STEEL BALL CHECK VALVE

53/48X
NPTxNPT

NPT x NPT - Valve sizes 1 1/2" - 2"

Use:

For water and neutral liquids to maximum 160°F.

Tests:

Shell Test: 225 PSI

Seat Test: 150 PSI

Optional Materials:

- Floating Ball
- Polyurethane Ball

Standard Materials:

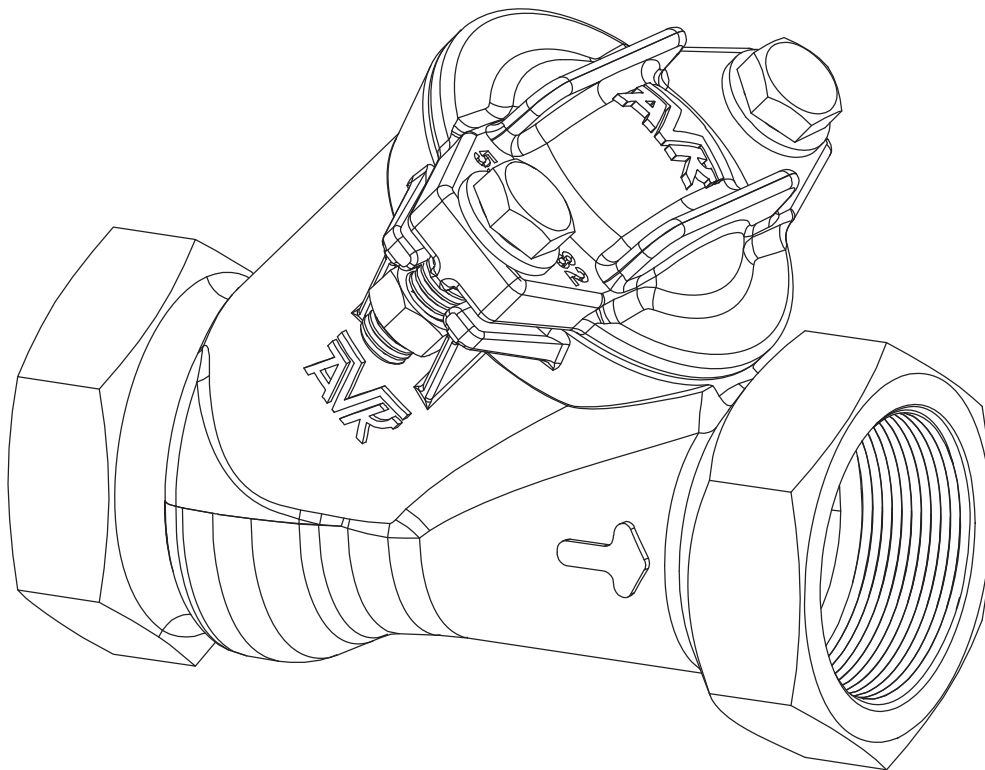
Body, Bonnet, Stainless Steel 316

Coating Black Primer

Ball Aluminum encapsulated with NBR-rubber compound

Bonnet Bolts, Nuts Stainless Steel 304

Bonnet Gasket, NBR O-ring



American AVK Company
an ISO 9001 registered company

DS S5348X STAINLESS NPT
Subject to change without notice. (rev. 09/11)

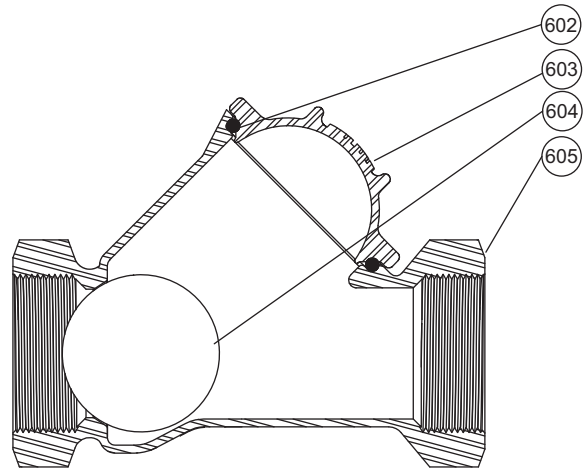
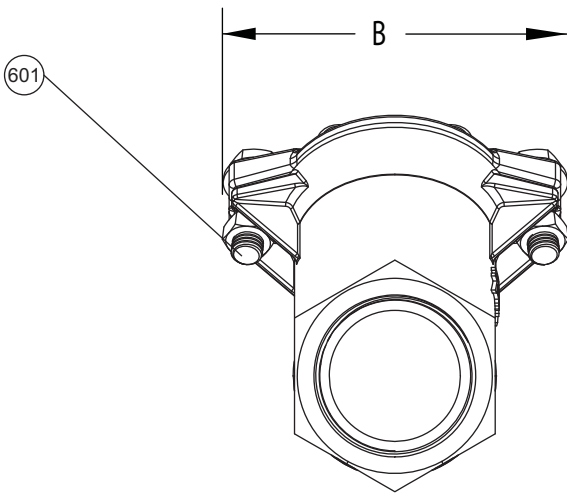
AMERICAN AVK STAINLESS STEEL BALL CHECK VALVE

53/48X
NPT/NPT

NPT x NPT - Valve sizes 1 1/2" - 2"

Component List:

- 601. Bolt, Nut
- 602. Bonnet Gasket
- 603. Bonnet
- 604. Ball
- 605. Body



Ref No.	Size	B	H	L	Weight (lbs.)
53-040-5348X	1.5"	4.88"	3.27"	5.50"	4.4
53-050-5348X	2"	4.88"	3.98"	7.00"	6.6

