

AMERICAN AVK RESILIENT SEATED GATE VALVE, 250 PSI, WITH ACTUATOR PLATE

753XX ACTUATOR VALVES

Tested to AWWA C509 - (NRS) - Series 25, - Valve Sizes 2½" through 16"

Tested to AWWA C515* - (NRS) - Series 66, - Valve Sizes 4" through 12"

Tested to AWWA C515 - (NRS) - Series 45, - Valve Sizes 4" through 12"

Tested to AWWA C515 - (NRS) - Series 55, - Valve Sizes 18" through 24"

Use:

For water and neutral liquids to maximum 160°F.

Tests:

Hydraulic test to AWWA C509, C515:

Shell Test: 500 PSI

Seat Test: 250 PSI

Operating Torque Test

* where applicable

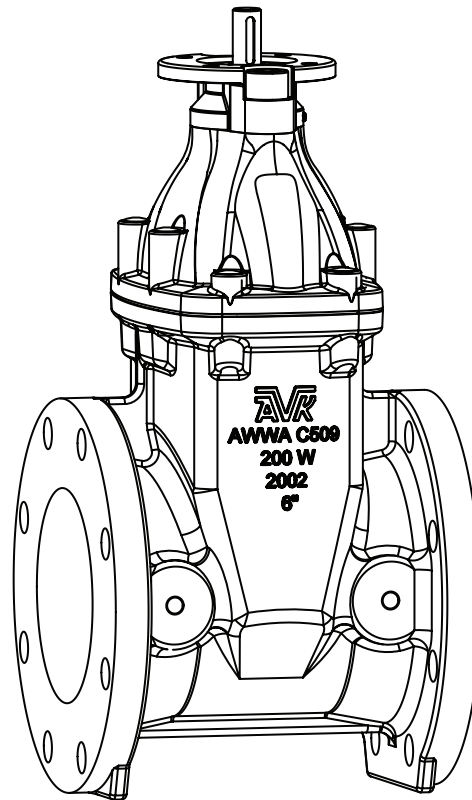
Standard Materials:

Adapter Flange Ductile iron ASTM A536

Stem Standard: Stainless steel
ASTM A582

Gland Bolts Stainless Steel -304
Socket Head Cap Screw

Note: For complete Standard, and
Optional material lists, refer to
individual Series datasheets.



AMERICAN AVK RESILIENT SEATED GATE VALVE, 250 PSI, WITH ACTUATOR PLATE

753XX ACTUATOR VALVES

Tested to AWWA C509 - (NRS) - Series 25, - Valve Sizes 2½" through 16"

Tested to AWWA C515* - (NRS) - Series 66, - Valve Sizes 4" through 12"

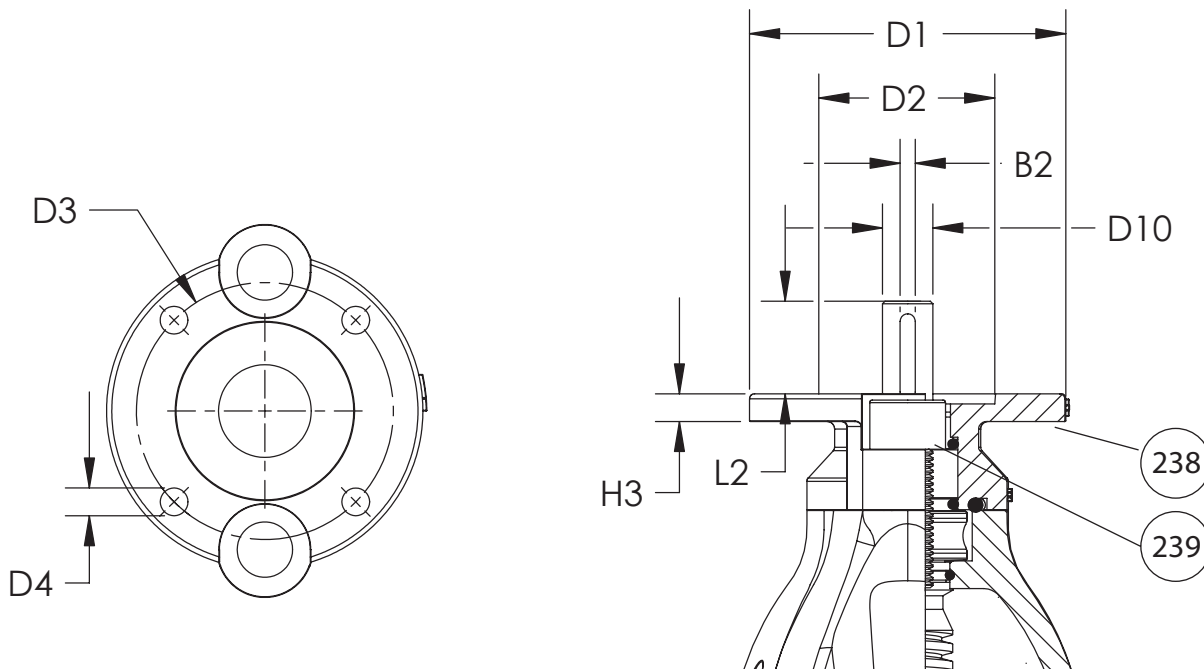
Tested to AWWA C515 - (NRS) - Series 45, - Valve Sizes 4" through 12"

Tested to AWWA C515 - (NRS) - Series 55, - Valve Sizes 18" through 24"

Component List:

238. Actuator Plate

239. Actuator Plate Bolt



Valve Size	ISO Plate	B2	D1	D2	D3	D4	D10	H3	Turns to Open
2½"	FA10	0.24"	4.92"	2.31"	4.00"	0.47"	0.79"	0.55"	11
3"	FA10	0.24"	4.92"	2.31"	4.00"	0.47"	0.79"	0.55"	11
4"	FA10	0.24"	4.92"	2.31"	4.00"	0.47"	0.79"	0.55"	14
6"	FA10	0.24"	4.92"	2.31"	4.00"	0.47"	0.79"	0.55"	21
8"	FA10	0.24"	4.92"	2.31"	4.00"	0.47"	0.79"	0.55"	26
10"	FA14	0.32"	6.89"	3.75"	5.50"	0.71"	1.18"	0.87"	32
12"	FA14	0.32"	6.89"	3.75"	5.50"	0.71"	1.18"	0.87"	38
14"	FA14	0.32"	6.89"	3.75"	5.50"	0.71"	1.18"	0.87"	51
16"	FA14	0.32"	6.89"	3.75"	5.50"	0.71"	1.18"	0.87"	51
18"	FA16	0.47"	8.25"	5.00"	6.50"	0.84"	1.57"	0.79"	42
20"	FA16	0.47"	8.25"	5.00"	6.50"	0.84"	1.57"	0.79"	42
24"	FA16	0.47"	8.25"	5.00"	6.50"	0.84"	1.57"	0.79"	51

