

# AMERICAN AVK STORZ NOZZLES & ADAPTERS

For Wet & Dry Barrel Hydrants

Tested to AWWA C503 / C502

24/27

STORZ

### Use:

For water and neutral liquids to maximum 160°F.

### Approvals:

UL, ULC Listed\*

FM Approved\*



\* For 4" & 5" Storz Nozzles only.

### Standard Materials:

Nozzle, Adapter

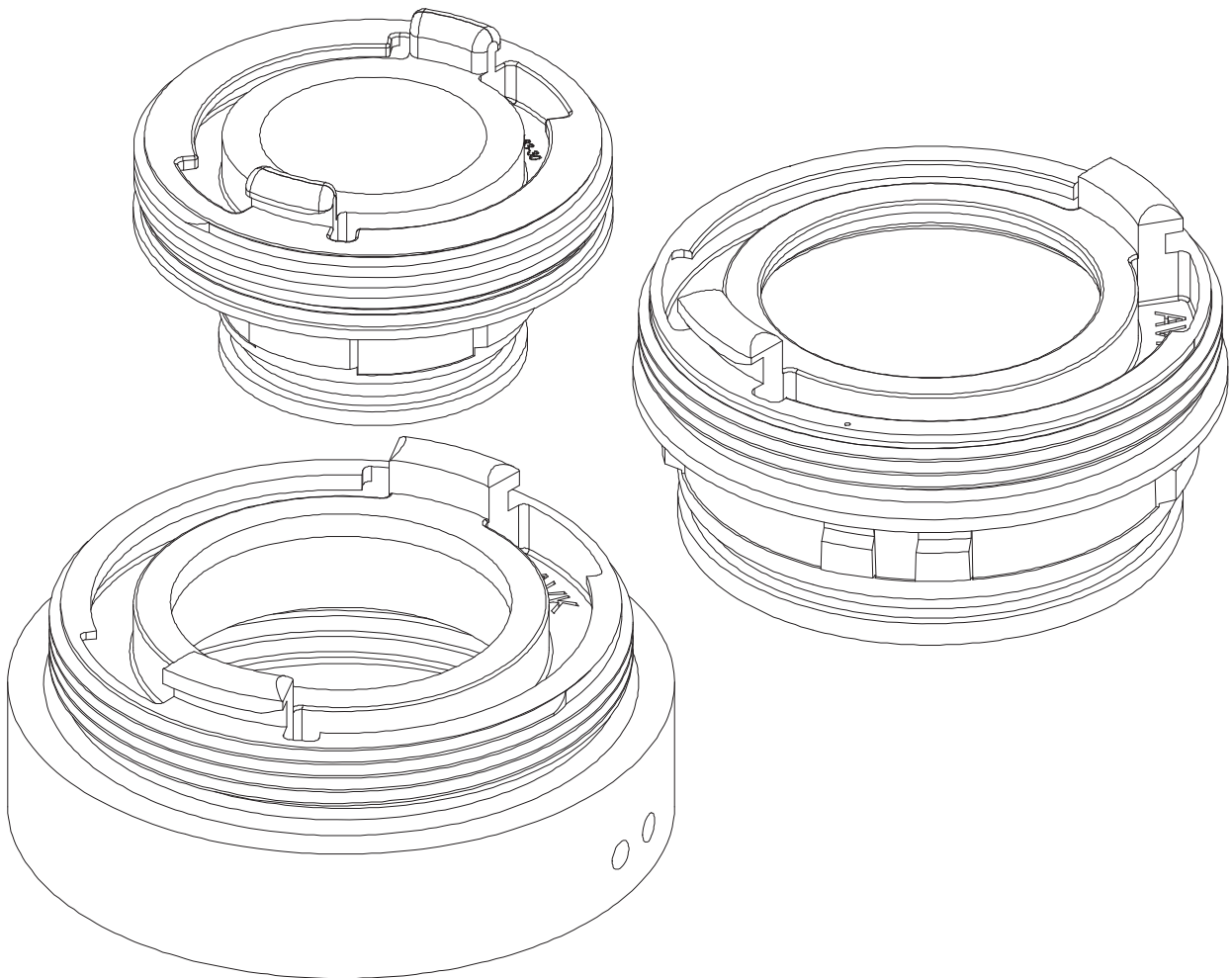
Bronze

Nozzle Cap

Grey Iron, ASTM 126, class B

O-rings

ASTM D2000 Buna "N" nitrile rubber



American AVK Company  
an ISO 9001-2000 registered company

DS S24/27 STORZ  
Subject to change without notice. (rev. 04/09)

# AMERICAN AVK STORZ NOZZLES & ADAPTERS

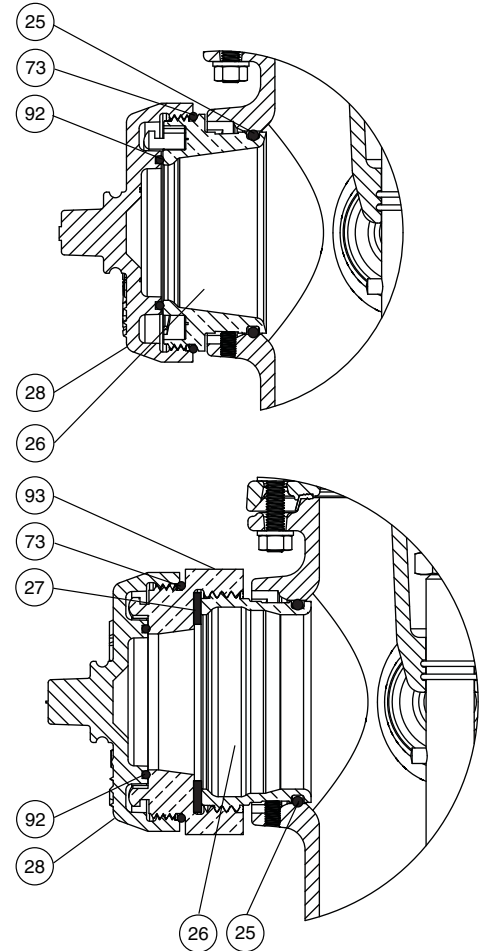
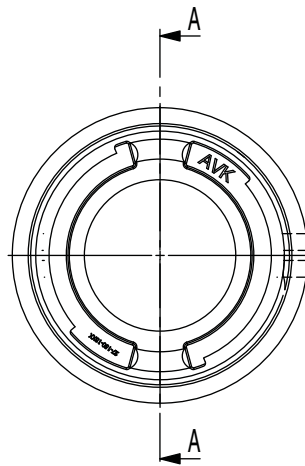
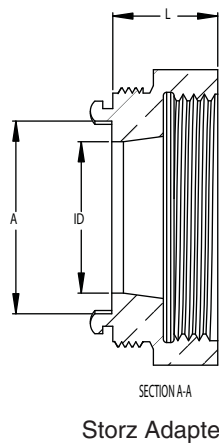
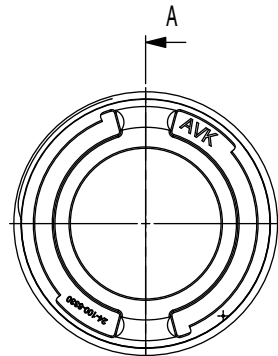
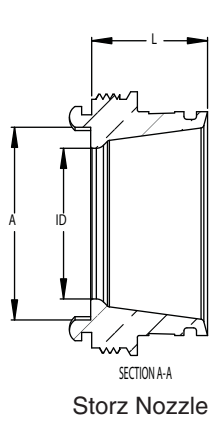
For Wet & Dry Barrel Hydrants

Tested to AWWA C503 / C502

24/27  
STORZ

## Component List:

- |                          |                            |
|--------------------------|----------------------------|
| 25. Pumper Nozzle O-ring | 92. Inner Storz Cap O-ring |
| 26. Pumper/Storz Nozzle  | 93. Storz Adapter          |
| 27. Pumper Cap Gasket    |                            |
| 28. Pumper Cap           |                            |
| 73. Storz Cap O-ring     |                            |



Storz Nozzle

Ref No.	Size	A	ID	L
24/27-075-83-30*	2½"	3.27"	2.28"	2.56"
24/27-100-83-30*	4"	4.53"	3.54"	2.70"
24/27-200-83-30*	5"	5.83"	4.68"	2.89"

\* 24- Wet Barrel / 27- Dry Barrel

Storz Adapter

Ref No.	Size	A	ID	L
27-100-13-XX	4" Nozzles to 4" Storz	4.53"	3.54"	2.47"
27-150-13-XX	4½" Nozzles to 4" Storz	4.83"	3.54"	2.47"
27-200-13-XX	4" Nozzles to 5" Storz	5.83"	4.65"	2.40"
27-250-13-XX	4½" Nozzles to 5" Storz	5.83"	4.65"	2.40"

