

**AMERICAN AVK RESILIENT SEATED DUCTILE IRON GATE VALVE**  
**250 PSI, Tested to AWWA C509 (OS&Y)**  
**IPS Grooved End according to AWWA C606 - Valve Sizes 3" - 8"**

**45/16X**  
**IPS GRxGR**

**Use:**

For water and neutral liquids to maximum 160°F.

**Tests:**

Hydraulic test to AWWA C509:

Shell Test: 500 PSI

Seat Test: 250 PSI

Operating Torque Test

**Optional Materials:**

Bonnet Bolts, Stud Bolts	Stainless Steel,
Washers, Nuts	Grade 304

**Standard Materials:**

Body, Bonnet, Yoke, Gland Follower	Ductile iron ASTM A536
Handwheel	Cast iron ASTM A126 class B
Coating	Electrostatically applied fusion-bonded epoxy-resin Meets or exceeds AWWA C550
Stem, Anti-Friction Washer, Wedge Nut 2-piece Stem Nut	Bronze
Wedge	Ductile iron ASTM A536 encapsulated with EPDM - rubber compound.
Bonnet Bolts	4"-8": ASTM A 164 Zinc Plated Steel 10"-12": Grade 8 Steel
Stud Bolts, Washers, Nuts	Zinc Plated Steel
Bonnet Gasket, O-rings	NBR
Gland, Gland Bushing	Akulon

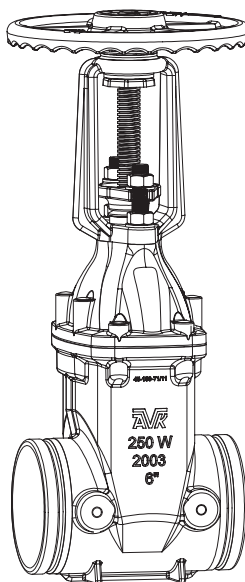
**Approvals:**



\*UL/ULC Listed,

\*FM Approved

\* Approved at 250 PSI working pressure



American AVK Company  
 an ISO 9001-2000 registered company

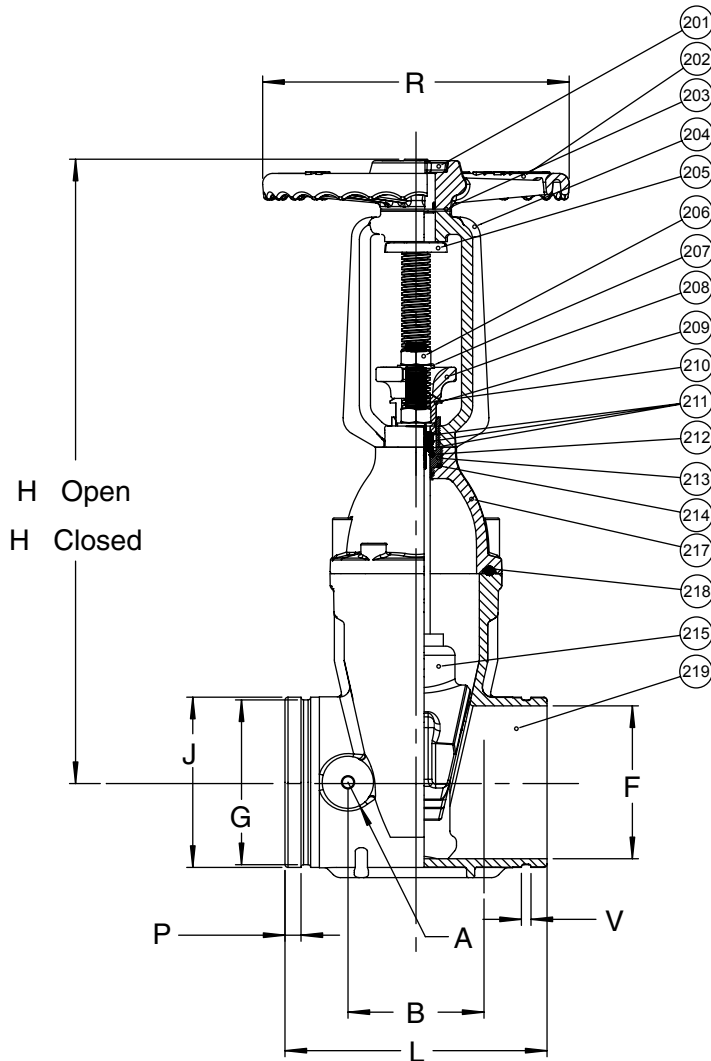
DS S4516X IPS GRGR  
 Subject to change without notice. (rev. 07/09)

**AMERICAN AVK RESILIENT SEATED DUCTILE IRON GATE VALVE**  
**250 PSI, Tested to AWWA C509 (OS&Y)**  
**IPS Grooved End according to AWWA C606 - Valve Sizes 3" - 8"**

**45/16X**  
**IPS GRxGR**

**Component List:**

- |                              |                                 |                           |
|------------------------------|---------------------------------|---------------------------|
| 201. Upper Stem Nut          | 207. Gland Follower/Yoke Washer | 214. Outer Bushing O-Ring |
| 202. OS&Y Handwheel          | 208. Gland Follower             | 215. OS&Y Stem Assembly   |
| 203. Anti-Friction Washer    | 209. Gland                      | 217. Bonnet               |
| 204. Yoke                    | 210. Stud Bolt                  | 218. Bonnet Gasket        |
| 205. Lower Stem Nut          | 211. Stem Seal O-Ring           | 219. Body                 |
| 206. Gland Follower/Yoke Nut |                                 |                           |



Ref No.	Size	A	B	F	G	J	H		L	P	R	V	Turns to Weight	
							Open	Closed					Open	Lbs.
45-080-16X	3"	1.57"	3.74"	3.00"	3.34"	3.59"	16.90"	13.80"	7.99"	0.63"	7.08"	0.31"	20	40
45-100-16X	4"	1.65"	4.12"	4.00"	4.33"	4.50"	21.00"	16.90"	9.02"	0.63"	10.00"	0.38"	21	56
45-150-16X	6"	1.97"	5.29"	6.00"	6.45"	6.62"	29.30"	23.20"	10.51"	0.63"	12.00"	0.38"	26	103
45-200-16X	8"	1.97"	8.00"	8.00"	8.44"	8.62"	37.40"	29.30"	11.50"	0.75"	14.00"	0.44"	35	157

