

**AMERICAN AVK RESILIENT SEATED DUCTILE IRON GATE VALVE**  
**250 PSI, Tested to AWWA C509 (OS&Y)**  
**Flanged x Flanged Ends - Drilled to ANSI B16.1, Class 250 - Valve Sizes 4" - 12"**

**45/46X**  
**FLxFL**

**Use:**

For water and neutral liquids to maximum 160°F.

**Tests:**

Hydraulic test to AWWA C509:

Shell Test: 500 PSI

Seat Test: 250 PSI

Operating Torque Test

**Optional Materials:**

Bonnet Bolts, Stud Bolts	Stainless Steel,
Washers, Nuts	Grade 304

**Standard Materials:**

Body, Bonnet, Yoke, Gland Follower	Ductile iron ASTM A536
Handwheel	Cast iron ASTM A126 class B
Coating	Electrostatically applied fusion-bonded epoxy-resin Meets or exceeds AWWA C550
Stem, Anti-Friction Washer, Wedge Nut 2-piece Stem Nut	Bronze
Wedge	Ductile iron ASTM A536 encapsulated with EPDM - rubber compound.
Bonnet Bolts	4"-8": Zinc Plated Steel ASTM 164 10"-12": Grade 8 Steel
Stud Bolts, Washers, Nuts	Zinc Plated Steel
Bonnet Gasket, O-rings	NBR
Gland, Gland Bushing	Akulon

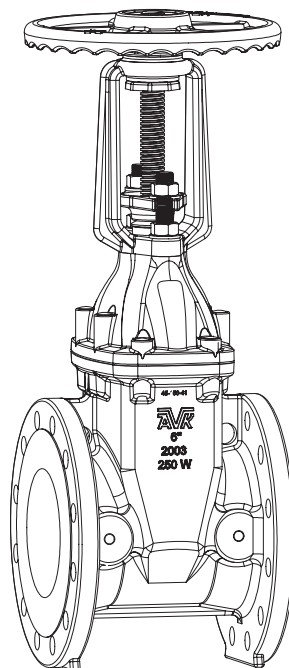
**Approvals:**



\*UL/ULC Listed,

\*FM Approved

\* Approved at 250 PSI working pressure



American AVK Company  
an ISO 9001-2000 registered company

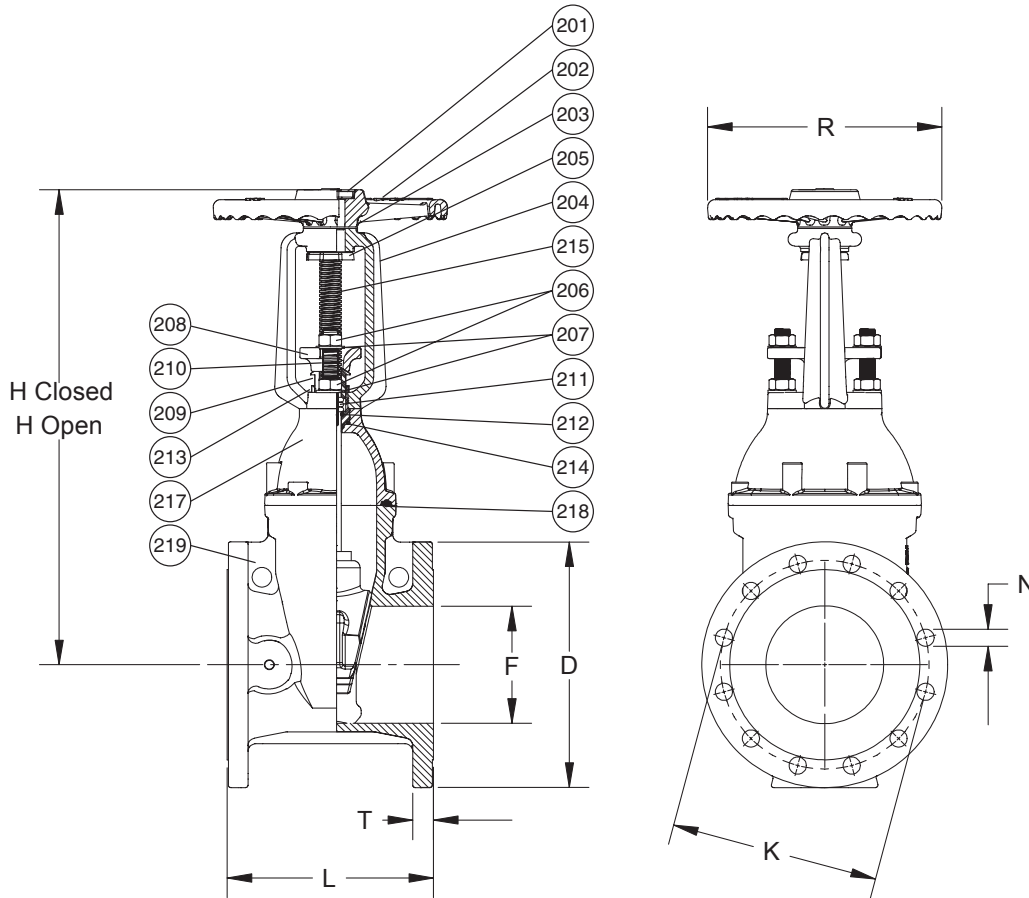
DS S4546X FLFL  
Subject to change without notice. (rev. 09/07)

**AMERICAN AVK RESILIENT SEATED DUCTILE IRON GATE VALVE**  
**250 PSI, Tested to AWWA C509 (OS&Y)**  
**Flanged x Flanged Ends - Drilled to ANSI B16.1, Class 250 - Valve Sizes 4" - 12"**

**45/46X**  
**FLxFL**

**Component List:**

201. Upper Stem Nut	208. Gland Follower	215. OS&Y Stem Assembly
202. OS&Y Handwheel	209. Gland	216. Bonnet Bolts (Not Shown)
203. Anti-Friction Washer	210. Stud Bolt	217. Bonnet
204. Yoke	211. Stem Seal O-rings	218. Bonnet Gasket
205. Lower Stem Nut	212. Inner Bushing O-ring	219. Body
206. Gland Follower/Yoke Nut	213. OS&Y Bushing	
207. Gland Follower/Yoke Washer	214. Outer Bushing O-ring	



Ref. nos.	Size	D	F	H open	H closed	K	L	N	R	T	Flange holes	Turns to open	Wt. Lbs.
45-100-46X	4"	10.00"	4.00"	20.63"	16.50"	7.87"	9.00"	0.88"	10.00"	1.00"	8	21	84
45-150-46X	6"	12.50"	6.00"	29.00"	22.88"	10.62"	10.50"	0.88"	12.00"	1.00"	12	26	138
45-200-46X	8"	15.00"	8.00"	37.12"	29.00"	13.00"	11.50"	1.00"	14.00"	1.14"	12	35	211
45-250-46X	10"	17.50"	10.00"	44.88"	34.75"	15.25"	13.00"	1.12"	17.00"	1.16"	16	37	303
45-300-46X	12"	20.50"	12.00"	51.88"	39.75"	17.75"	14.00"	1.25"	17.00"	1.24"	16	44	431

