

Resilient Wedge Gate Valves



Series 25 Resilient Wedge Gate Valve

Meets or Exceeds the AWWA C509 Standard

WIPER RING

To prevent impurities from entering into the stem seals and to protect the o-rings

DUCTILE IRON GLAND FLANGE

Will not break or crack even if the valve is over-torqued in the closed direction

STAINLESS STEEL STEM

— STANDARD

- LEAD FREE
- Threads rolled in a separate cold pressing process to enhance strength
- Rolled threads ensure smooth thread edges and low operating torques
- Twice the yield strength required by AWWA eliminates bent and broken stems
- Bronze stem available

FULLY ENCAPSULATED WEDGE

Ductile iron core fully encapsulated in EPDM rubber with an integral low zinc bronze stem nut for optimum corrosion protection and precision wedge tracking

American AVK

Commitment: Quality Products

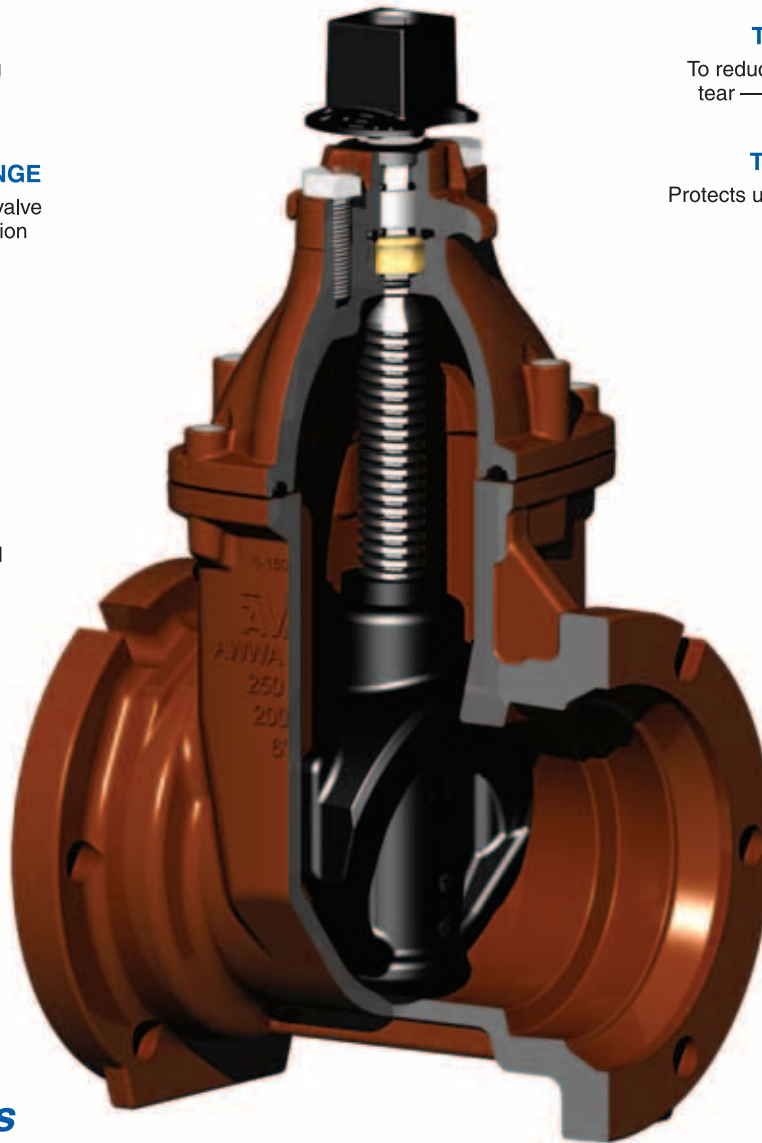
— Delivered On Time

High Quality:

- Products are proudly MADE IN AMERICA
- Tested to AWWA, UL, ULC and FM requirements
- Certified to NSF61 by UL
- All products are covered by a ten (10) year warranty

Product Range:

- All standard end configurations available
- Size range: NRS gate valves 1"-24"
- Size range: OS&Y gate valves 2 1/2" - 12"
- Size range: post indicator gate valves 4"-12"
- GENUINE Class 250 psi resilient wedge gate valves available — NRS 4"-12"
- 18"-24" NRS Resilient Wedge Gate Valves utilizing the exclusive AVK PowerSaver® feature for reduced operating torque



TWO O-RING STEM SEALS

To reduce friction and prevent wear and tear — replaceable under full pressure

THIRD O-RING STEM SEAL

Protects upper stem seals from impurities entering from the water way

STAINLESS STEEL BOLTS — STANDARD

Gland bolts and bonnet bolts supplied in stainless steel for superior corrosion resistance

COUNTERSUNK BONNET BOLTS

Each bolt capped with hot melt to isolate the bolts from internal or external corrosive elements

O-RING BONNET GASKET

Reuseable heavy-duty gasket wraps each bolt to prevent corrosion

COATING TO AWWA C550

Electrostatically applied fusion bonded epoxy coating inside and outside for excellent corrosion resistance

100% TESTING

All valves tested to 250 PSI/500 PSI



Another AVK Innovation Series 18 Combi-Tee Valve:

- Push-on or MJ connection
Sizes: ● 6"x6" ● 8"x6" ● 12"x6"
- Time saving installation and competitive pricing
- Designed for lateral hydrant installations off main lines
- Main line laying length to AWWA C-110
- Gate valves to AWWA C-509
- Epoxy coated inside and out to AWWA C-550

American AVK Company Locations To Serve You:

Minden, NV
Tel: (775) 552-1410
Fax: (775) 783-7502

N. Charleston, SC
Tel: (843) 552-5557
Fax: (843) 552-8852

Dallas, TX
Tel: (775) 552-1410
Fax: (775) 783-7502


AMERICAN AVK COMPANY
www.americanavk.com