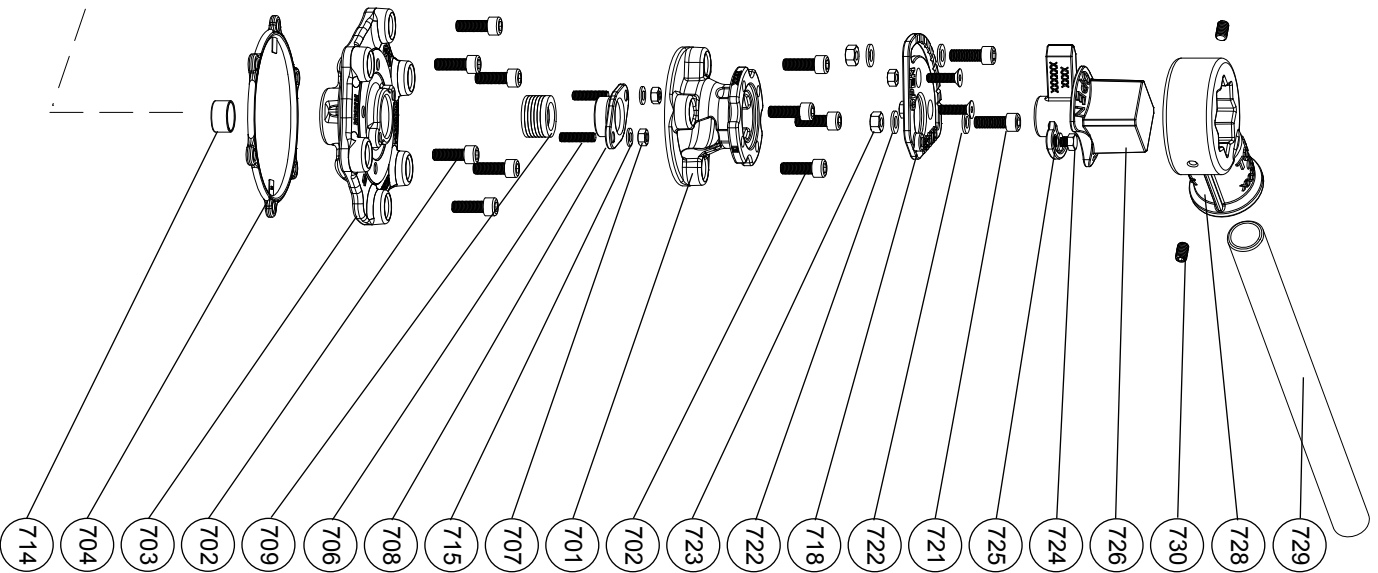
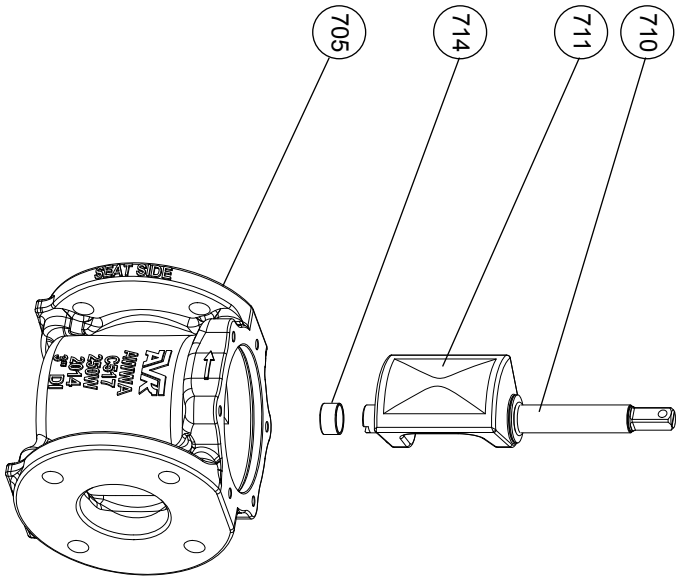


American AVK Series 764 Eccentric
Plug Valve
Exploded Parts Breakdown



Item No.	Description	Material
701	ISO Flange	Grey iron, ASTM A126, "B"
702	Bolts	NBR
703	Bonnet	304 Stainless steel
704	Chain Set	Zinc Plated steel
705	Bonnet Gasket	NBR
706	Body	Grey iron, ASTM A126, "B"
707	Hex Nut	Zinc Plate, 304,316 Stainless steel
708	Gland	Ductile Iron, ASTM A536
709	V-Pack	NBR
710	Plug Core	Copper Alloy
711	Plug Rubber	NBR
712	Thrust Washer	Grey iron, ASTM A126, "B"
713	O-Ring	304 Stainless steel
714	Bearing	304 Stainless steel
715	Washer	NBR, Neoprene
716	Gearbox Bolt	Copper Alloy
717	Gearbox Washer	NBR, Neoprene
718	Stop Plate	Zinc Plate, 304,316 Stainless steel
719	Stop Plate Screw	Copper Alloy
720	Stop Plate Nut	NBR
721	Stop Bolt	Copper Alloy
722	Stop Washer	NBR
723	Stop Nut	Copper Alloy
724	Wrench Nut Lock Bolt	EPDM encapsulated ductile iron
725	Wrench Nut Lock Washer	Copper Alloy
726	Wrench Nut	Copper Alloy
727	Wrench Nut Key *	304 Stainless steel
728	Wrench Head	304 Stainless steel
729	Lever	304 Stainless steel
730	Wrench Head Screw	304 Stainless steel
731	Gearbox*	304 Stainless steel

* Not Shown