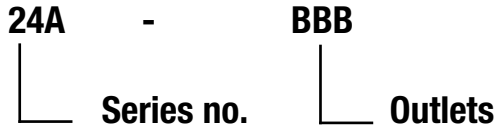


SERIES 24 AWWA C503, WET BARREL

HYDRANT

American AVK Wet Barrel Hydrant Class Code/ Ref. # / Breakdown



I - Ductile Iron
S - Stainless Steel

**PHH - 1 Pumper,
 2 Hose Outlets**
**PHN - 1 Pumper,
 1 Hose Outlet**
**PPH - 2 Pumps,
 1 Hose Outlet**

Series 24 AWWA C503 Availability Listing

Material	PHN 1 Pumper – 1 Hose Outlet	PHH 1 Pumper – 2 Hose Outlets	PPH 2 Pumps – 1 Hose Outlet
24I – Ductile Iron – 250/350 PSI*	X	X	X
24S – Stainless Steel – 200 PSI	X	X	X

* - As of June, 2020, all ductile iron wet barrel hydrants have been changed to the threaded high pressure configuration.

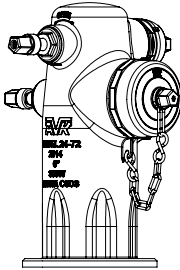
AWWA C503 WET BARREL HYDRANT ACRONYMS :

AWWA - American Water Works Association
DI - Ductile Iron
EPDM - Ethylene Propylene Diene Monomer
FL - Flange
FM - Factory Mutual

PE - Polyethylene
PUR - Polyurethane
SS - Stainless Steel
THD - Threaded
UL - Underwriters Laboratories

Type

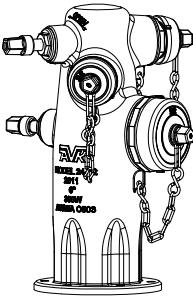
**Series 24T/PHN
(2472) Wet barrel hydrant
Ductile Iron, High Pressure**



To AWWA C503
UL Listed
FM Approved
1 Hose Nozzle
1 Pumper Nozzle
UL/FM - 250 PSI
AWWA - 350 PSI

AVK Ref. #	Size	Weight		Price US \$
		kg	lb	
24T/PHN	1 x 2.5" and 1 x 4"	57	126	2,941
24T/PHN	1 x 2.5" and 1 x 4.5"	57	126	2,941

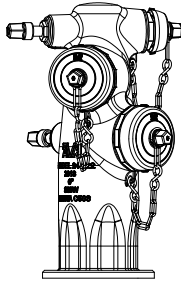
**Series 24T/PHH
(2492) Wet barrel hydrant
Ductile Iron, High Pressure**



To AWWA C503
UL Listed
FM Approved
2 Hose Nozzles
1 Pumper Nozzle
UL/FM - 250 PSI
AWWA - 350 PSI

24T/PHH	2 x 2.5" and 1 x 4"	62	136	4,085
24T/PHH	2 x 2.5" and 1 x 4.5"	62	136	4,085

**Series 24T/PPH
(2422) Wet barrel hydrant
Ductile iron**



To AWWA C503
UL Listed
1 Hose Nozzle
2 Pumper Nozzles
UL - 250 PSI
AWWA - 350 PSI

24IT/PPH	1 x 2.5" and 2 x 4"	58	127	4,575
24IT/PPH	1 x 2.5" and 2 x 4.5"	58	127	4,575

6 hole bolting options only