

# SERIES 67, POST/FLUSHING

# DRY BARREL HYDRANT

## American AVK Wet Barrel Hydrant Class Code/ Ref. # / Breakdown

<b>67</b>   L <b>Series no.</b>	<b>A</b>   L <b>Inlet Size</b>	<b>B</b>   L <b>Inlet Config.</b>	<b>C</b>   L <b>Bury Depth</b>
	2 - 2" 2.5 - 2.5" 3 - 3" 4 - 4"	F - FL M - MJ N - NPT	15 - 1.5' 20 - 2' 25 - 2.5' 30 - 3' 35 - 3.5' 40 - 4' 45 - 4.5' 50 - 5' 55 - 5.5' 60 - 6' 65 - 6.5' 70 - 7' 75 - 7.5' 80 - 8'

### SERIES 67, POST/FLUSHING, DRY BARREL HYDRANT ACRONYMS :

- DI - Ductile Iron
- EPDM - Ethylene Propylene Diene Monomer
- FL - Flange
- MJ - Mechanical Joint
- NPT - National Pipe Thread
- SS - Stainless Steel

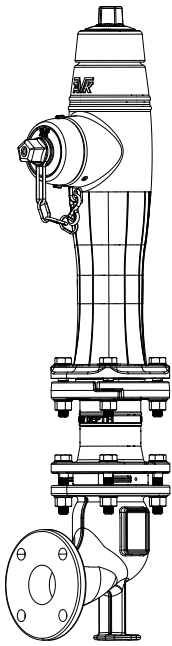
**Type**

**Series 67/XX  
Post/Flushing  
Dry barrel Hydrant**

One Hose Nozzle ONLY

Standard bases available:  
2.5" FL  
3" FL  
2" MJ  
3" MJ  
4" MJ  
2" NPT  
2.5" NPT  
3" NPT

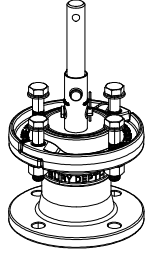
Optional base:  
2" HYMAX GRIP® Add 200



AVK Ref. #	Size	Weight		Price US \$
		kg	lb	
	Bury Depth			
67-XX-15	1.5'	46	101	2,271
67-XX-20	2.0'	49	108	2,271
67-XX-25	2.5'	52	115	2,271
67-XX-30	3.0'	55	122	2,271
67-XX-35	3.5'	59	129	2,331
67-XX-40	4.0'	62	136	2,391
67-XX-45	4.5'	65	143	2,451
67-XX-50	5.0'	68	150	2,511
67-XX-55	5.5'	71	157	2,571
67-XX-60	6.0'	74	164	2,631
67-XX-65	6.5'	78	171	2,691
67-XX-70	7.0'	81	178	2,751
67-XX-75	7.5'	84	185	2,811
67-XX-80	8.0'	87	192	2,871
67-XX-85	8.5'	90	199	2,931
67-XX-90	9.0'	93	206	2,991
67-XX-95	9.5'	96	213	3,051
67-XX-100	10.0'	99	220	3,111

Note: List prices without accessories. Extensions available in 6" increments from 6" to 8'  
Add \$200 for 2" HYMAX GRIP® base  
For each 6" increase to bury depth over 10' add \$61  
Lower Stem Optional 304 Stainless Steel add \$121 per 6 inch increment  
304 Stainless Steel Bolting ( incl. 4 bolts, 8 washers, 4 nuts ) add \$81  
316 Stainless Steel Bolting ( incl. 4 bolts, 8 washers, 4 nuts ) add \$161  
Solid Red or Green color standard. For different color add \$201  
PUR coating or each 6" increase to bury depth add \$60

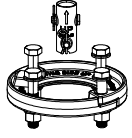
**Series 67  
Extension Kits**



AVK Ref. #	Size	Weight	Price US \$
67-999-6X	0.5'		601
67-999-6X	1.0'		661
67-999-6X	1.5'		721
67-999-6X	2.0'		781
67-999-6X	2.5'		841
67-999-6X	3.0'		901
67-999-6X	3.5'		961
67-999-6X	4.0'		1,021
67-999-6X	4.5'		1,081
67-999-6X	5.0'		1,141

**Use fire hydrant parts discount**  
Extension Stem Optional 304 Stainless Steel add \$60 per 6 inch increment  
304 Stainless Steel Bolting ( incl. 4 bolts, 8 washers, 4 nuts ) add \$81  
316 Stainless Steel Bolting ( incl. 4 bolts, 8 washers, 4 nuts ) add \$161

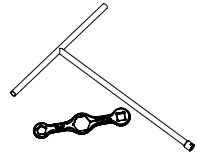
**Series 67 Traffic  
Repair Kit**



67-999-7X		8	18	229
-----------	--	---	----	-----

**Use fire hydrant parts discount**  
304 Stainless Steel Bolting ( incl. 4 bolts, 8 washers, 4 nuts ) add \$81  
316 Stainless Steel Bolting ( incl. 4 bolts, 8 washers, 4 nuts ) add \$161

**Series 67 Hydrant  
Tools**



67-065-5901 Hydrant Wrench		3	6	269
67-080-5901 Operating Wrench		2	5	97

**Use fire hydrant parts discount**